

Instructions

Front Radius Arms

- Caster Adjustable

N.B: This instruction sheet should be used in conjunction with the workshop manual and proper safety procedures followed.

- Raise vehicle evenly and safely support.

Never rely on a Jack only

- Proceed to un-bolt wheels.
- Remove inner front mounting bolt, followed by ball joint nut.

There should be no need to hit aluminium hub to remove ball joint.

- Take note of arms when removing - they are **LH** and **RH**.
- Bolt up new supplied arms with new supplied 'splined' bolts. Splined bolts will need to be 'pulled' into position initially. Use flange nut to pull bolts in.

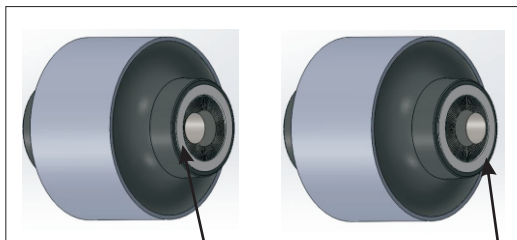
Tighten inner front bolt to 75Nm
Tighten ball joint stud to 120Nm

- A wheel alignment is required immediately after install - to correct any Toe issues.
- Re-check vehicle after 500kms

Application - BMW M3 Series F80

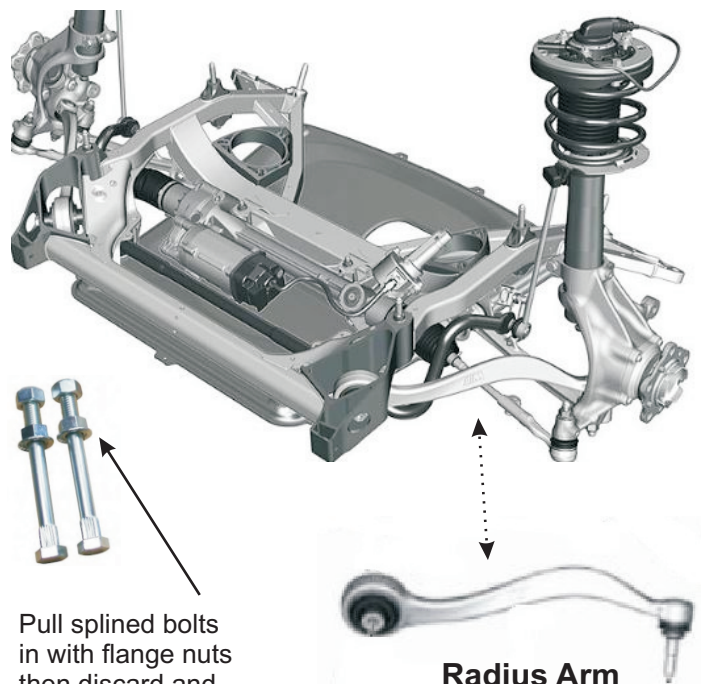
Always refer complete catalogue listing

Contents - 2x Radius arms
- complete with live adjustable off-set bushings
- 2x splined bolts
- 2x flange nuts
- 2x locking nuts



Set bolt hole to front of car for decreased caster

Set bolt hole to rear of car for increased caster



Pull splined bolts in with flange nuts then discard and use locking nuts

Radius Arm

N.B: It is recommended that a licenced workshop or tradesperson carry out the above procedure and that workshop manual and relevant safety procedures are followed in addition to the above.