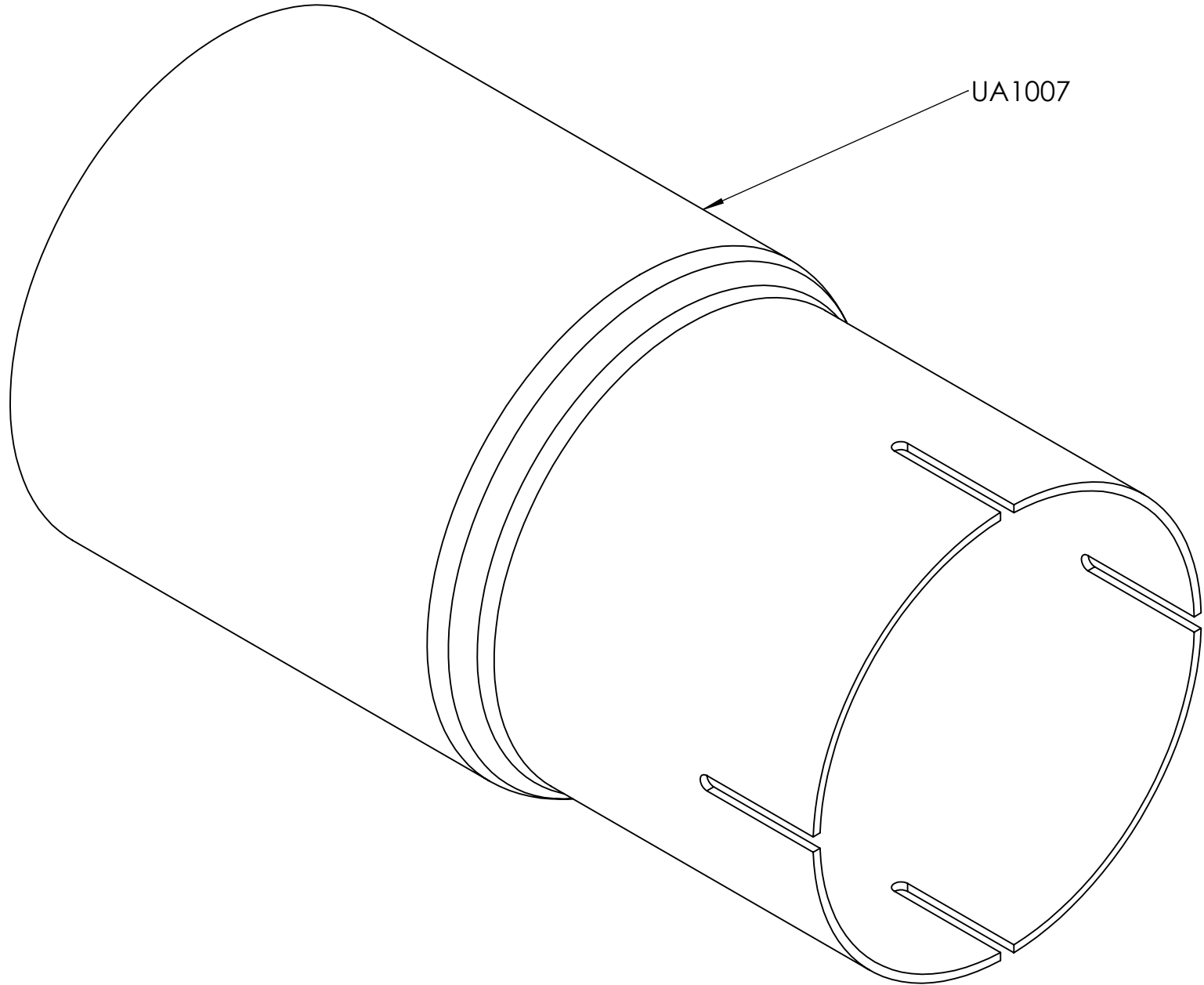


UA1007

3.5"ID TO 4" OD ADAPTOR



ITEM NO.	PART NUMBER	DESCRIPTION	QTY.
1	UA1007	3.5"ID TO 4" OD ADAPTOR	1

6-Nov-19
REV:E

MBRP

*