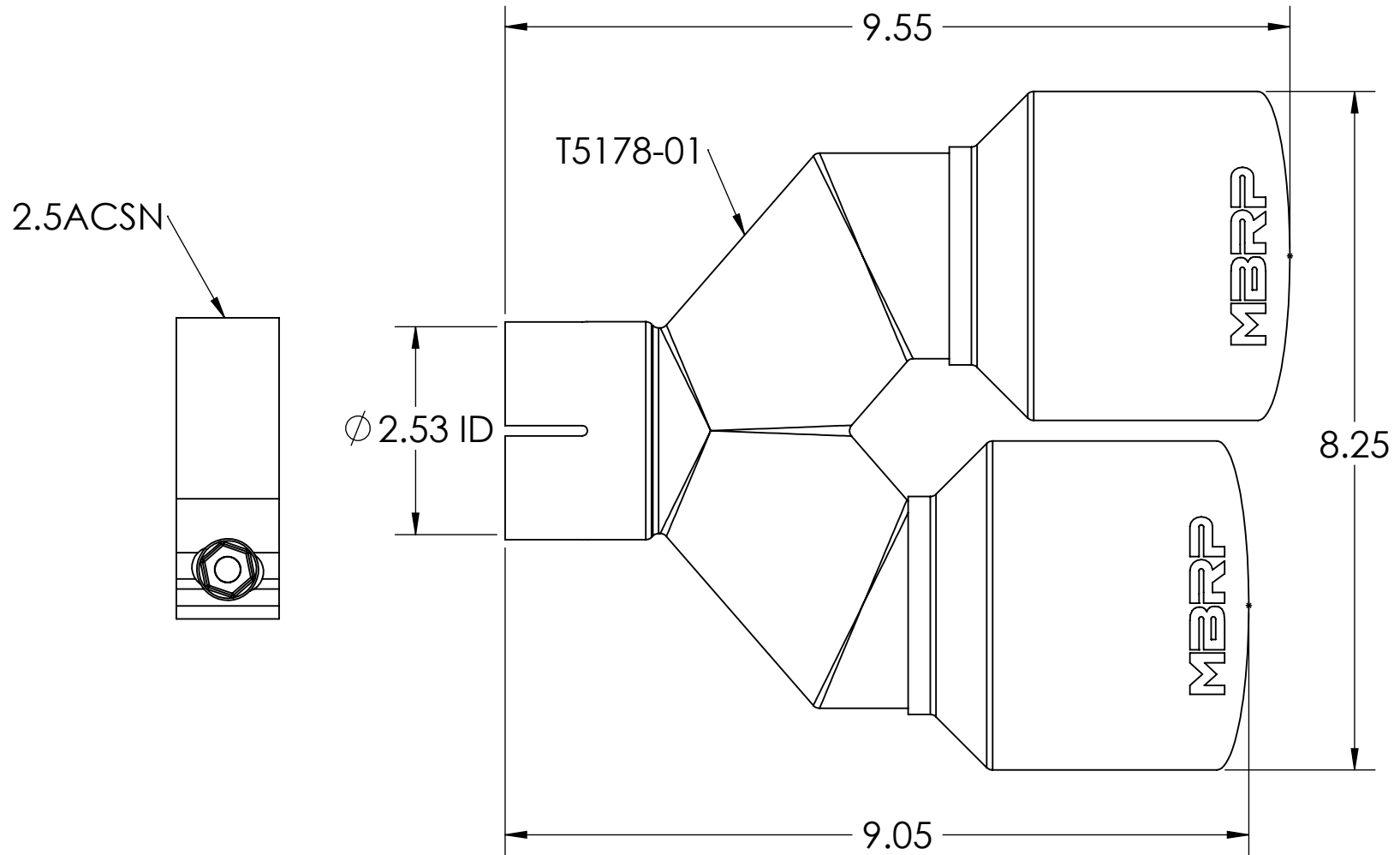


# T5178

TIP, 2.5" IN, 4" OD DUAL OUT, T304



ITEM NO.	PART NUMBER	DESCRIPTION	T5178/QTY
1	T5178-01	TIP, 2.5" IN, 4.0" OD DUAL OUT, T304	1
2	2.5ACSN	CLAMP, 2.5" BAND, STAINLESS STEEL ACCUSEAL	1

29-Jun-20  
REV:A

**MBRP**