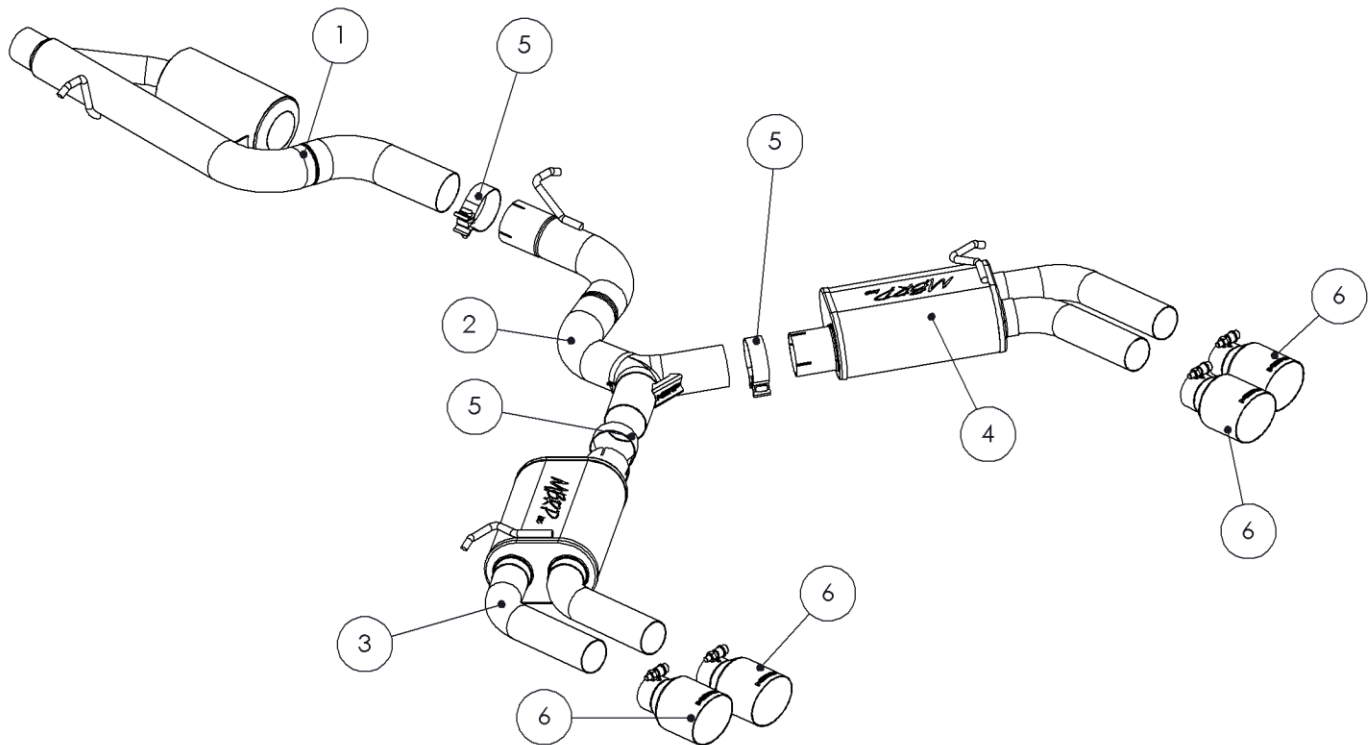


S4601

2015-UP AUDI S3 CAT BACK - VALVE DELETE

MBRP



ITEM	DESCRIPTION	QTY.
1	FRONT PIPE	1
2	Y PIPE ASSEMBLY	1
3	DRIVER-SIDE MUFFLER ASSEMBLY	1
4	PASSENGER-SIDE MUFFLER ASSEMBLY	1
5	3.0" CLAMP	3
6	TIP	4
7	VALVE SIMULATOR *NOT SHOWN*	2

PLEASE READ BEFORE STARTING INSTALLATION

While MBRP has made every effort to ensure that all components of this system are of superior quality and properly packaged, it is the installer's responsibility to ensure the following before removal of the factory exhaust:

- that ALL components shown above are present.
- that ALL mating components fit together.
- that there are no damaged components.
- that the system you have purchased is appropriate for your vehicle year, model and configuration.
- that the system will not interfere with any modifications previously installed or planned.
- that you have read and understand these instructions.

If you have any questions or are uncertain about any aspect of the installation of this system to your vehicle please contact your dealer before commencing installation.

MBRP

Removal of Stock System



Figure 1



Figure 2

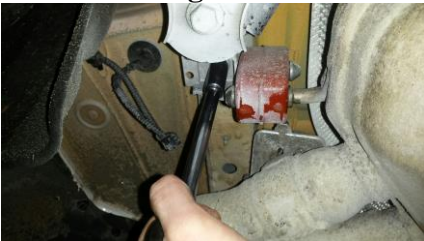


Figure 3

1. Apply penetrating lubricant liberally to all exhaust fasteners, hangers and rubber insulators.

2. Disconnect wiring harness from both exhaust valve actuators.
Refer to Figure 1.

3. Loosen band clamp at the inlet of the OEM catback.
Refer to Figure 2.

4. Remove the front and mid hangers from their rubber isolators.

5. Unbolt both rear muffler hangers from the vehicle and remove the complete catback exhaust from the vehicle. Remove the OEM bandclamp and both rear muffler hangers from the OEM exhaust as these will be reused during the installation of your **M B P** performance exhaust.

Refer to Figure 3.

Installation of **M B P** Performance Exhaust

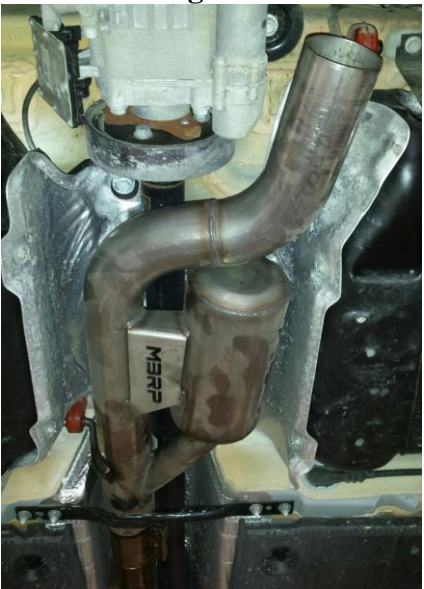


Figure 4

1. Using the factory band clamp, install the **Front Pipe**. Do not fully tighten until all parts are installed. Install the hanger into the rubber isolator.
Refer to Figure 4.

2. Pre-install the OEM muffler hanger assemblies onto both **M B P** muffler assemblies.
Refer to Figure 5.

3. Using a supplied 3" **Clamp**, install the **Y-Pipe Assembly** onto the **Front Pipe**. Install the hanger into the factory rubber isolator.
Refer to Figure 6.



Figure 5

MBRP



Figure 6

4. Using a 3" Clamp, install the **Passenger-Side Muffler Assembly** onto the **Y-Pipe Assembly**. Lift the **Passenger-Side Muffler Assembly** up and secure the OEM hanger assembly to the vehicle with the previously removed bolt. NOTE; The OEM hanger assemblies have slotted mounting holes that can be used to center the tips in the rear fascia when the installation is complete. Refer to **Figures 7 and 8**.

5. Repeat Step 4 for the **Driver-Side Muffler Assembly**.

6. Install the **Tips** and align to your preference. Refer to **Figure 9**.



Figure 7

7. Plug the two **Valve Simulators** into the wiring harness and secure the wiring out of the way with cable ties. Refer to **Figure 10**.



Figure 8

8. Tighten all hardware and clamps, starting at the front and working rearward to secure the system. Check along the full length of the exhaust system to ensure there is adequate clearance for fuel lines, vent lines, brake lines, frame, bodywork, suspension and any wiring, etc. If there is any interference detected, relocate or adjust to provide adequate clearance.



Figure 9

Congratulations! You are ready to begin experiencing the improved power, sound and driving experience of your **M B R P** Performance Exhaust. We know you will enjoy your purchase!



Figure 10

