

# Installation instructions

For set # 8.4101 / 8.4102

TOYOTA CAB MOUNTS

79-88 4X4 PICKUP

85-88 4X4 FORERUNNER

**ENERGY**  
**SUSPENSION** 

1131 VIA CALLEJON, SAN CLEMENTE, CA 92673

© 2008 Energy Suspension. All rights reserved.  
May not be reproduced, in any form, or by any means,  
without the written consent of Energy Suspension.

It is recommended that if you are unfamiliar with this type of work that you refer to a qualified service center specializing in this type of work. It is also recommended that if you choose to do this work yourself that a factory service manual be obtained for the proper procedures pertaining to removal, replacement and proper torque specifications for your vehicle. This instruction set is intended as a guideline for the safe installation of Energy Suspension's polyurethane bushings, once you have removed the factory components from your vehicle.

## Parts list: 8.4101

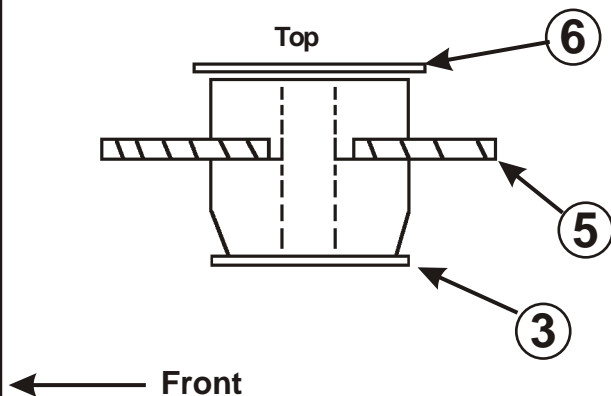
- 4 - 4013 (upper mount bushings).
- 6 - 4014 (lower conical bushings).
- 2 - 4015 (upper core mount bushings).
- 6 - 15.10.32.39  
(Sleeve .625"O.D. x .500"I.D. x 1.650"LG).
- 2 - 15.03.06.39 (washer 2.00"O.D. x .375"I.D.)
- 4 - 15.03.08.39 (washer 2.50"O.D. x .406"I.D.)
- 1 - 17044 (this instruction sheet).

## Parts list: 8.4102

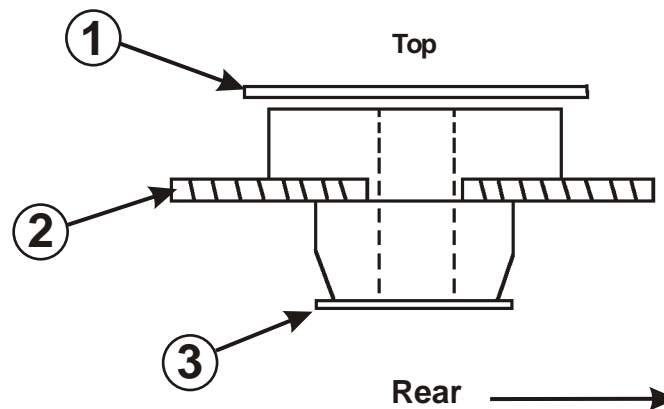
- 8 - 4013 (upper mount bushings).
- 10 - 4014 (lower conical bushings).
- 2 - 4015 (upper core mount bushings).
- 10 - 15.10.32.39  
(Sleeve .625"O.D. x .500"I.D. x 1.650"LG).
- 2 - 15.03.06.39 (washer 2.00"O.D. x .375"I.D.)
- 8 - 15.03.08.39 (washer 2.50"O.D. x .406"I.D.)
- 1 - 17044 (this instruction sheet).

**CAUTION:** Remove all the body mount bolts on one side of the vehicle. Loosen but do not remove all the body mount bolts on the opposite side of the vehicle. Only raise one side of the vehicle at a time, lifting the body only high enough to remove/replace the mounts. Always watch the fan shroud, brake lines, and various hoses for sufficient clearance when raising the body. When jacking the body, use a 2x4 or 4x4 or equivalent to spread the weight. Never place jack faces **directly** on body panels! When all mounts and hardware are installed, torque all bolts to factory specifications.

Position 1  
Front core mount



Position 2-3 (set 8.4101)  
Position 2-5 (set 8.4102)



1. Large O.D. Washers (4 or 10) and grommets for positions 2-3 / 2-5.
2. Frame rail tabs from position 2 on back are the same.
3. Use original factory washers on all bottom conical grommets.
4. All sleeves are the same. The sleeves will accept larger bolts that come with many body lift kits. Sleeves must be used for proper crush on grommets.
5. Front core mount frame rail tab.
6. Smaller two washers are for top of core mount grommets.

**Note:** This kit is designed to replace the factory rubber body mounts. If your vehicle has an aftermarket body lift kit, you may have 1/2" dia. Bolts. If so, you will have to drill washers out to 1/2" I.D.

17044

7/MAY/08 BRH