

# Installation Instructions

## For set # 5.3141 LX REAR CONTROL ARM SET



1131 VIA CALLEJON, SAN CLEMENTE, CA 92673

© 2017 Energy Suspension. All rights reserved.  
May not be reproduced, in any form, or by any means,  
without the written consent of Energy Suspension.

### IMPORTANT - Please READ:

It is recommended that if you are unfamiliar with this type of work that you refer to a qualified service center specializing in this type of work. It is also recommended that if you choose to do this work yourself that a factory service manual be obtained for the proper procedures pertaining to component removal, replacement and proper torque specifications for your vehicle. This instruction set is intended as a guideline for the safe installation of Energy Suspension's polyurethane bushings, once you have removed the factory components from your vehicle. Wheel alignment is almost always disturbed when suspension components are removed or replaced. It is recommended that you have the alignment checked on your vehicle at a qualified alignment shop. Prior to installation, make sure that your vehicle is in top mechanical condition and that there are no suspension or steering related problems. These components have been designed to work only with a vehicle that is in good state of repair. No matter how carefully we design our parts, this is one area we have no control over and cannot be held responsible. The installation of these components may void the factory warranty for your vehicle. Please contact your local dealership for details concerning the factory warranty before installation. Energy Suspension recommends that you thoroughly read over all the installation instructions and check all P/N's and quantities in the Parts List before you start. Call customer service at 949-361-3935 if the parts in your kit do not match this Parts List.

### Parts list:

- 8 - 2851 TOE LINK, INNER & OUTER BUSHING
- 4 - 15.10.633.39 TOE LINK, INNER & OUTER SLEEVE
- 16 - 2853 COMPRESSION LINK, TENSION LINK, & INNER CAMBER LINK BUSHING
- 4 - 2854 OUTER CAMBER LINK BUSHING
- 10 - 15.10.520.39 COMPRESSION LINK, TENSION LINK, & CAMBER LINK SLEEVE
- 4 - 2855 LOWER ARM INNER BUSHING
- 2 - 15.10.634.39 LOWER ARM SLEEVE
- 12 - 15.07.27.40 FLANGED LOCKNUT
- 6 - 15.03.05.39 WASHER, CAMBER LINK AND TENSION LINK, AT KNUCKLE
- 2 - 15.05.89.40 BOLT
- 3 - 9.11113 GREASE
- 1 - 17566 INSTRUCTIONS

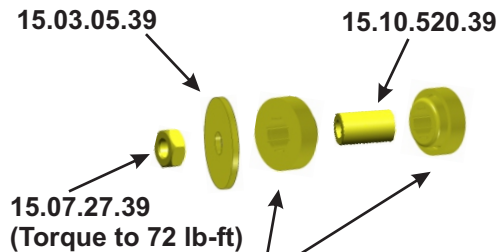
### Instructions

1. Before loosening or removing any fasteners, mark the 4 inner toe adjustment washers with a paint stick or marker. These marks are used during re-assembly to ensure the same alignment is retained when the install is finished.
2. While removing only one arm at a time, only the bonded rubber bushings must be removed for the install of new polyurethane bushings\*. **DO NOT REMOVE OR DAMAGE THE OUTER METAL SHELLS PRESSED INTO THE O.E. ARM.** Use a propane torch or similar to evenly heat the pressed-in shells and break the bonds to the rubber bushings. The bonds will be broken when a slight amount of smoke and bubbling material starts to escape from between the shell and rubber bushing. Clean the pressed-in shell I.D. of any remaining rubber with a wire brush and de-burr any sharp edges of the shell.

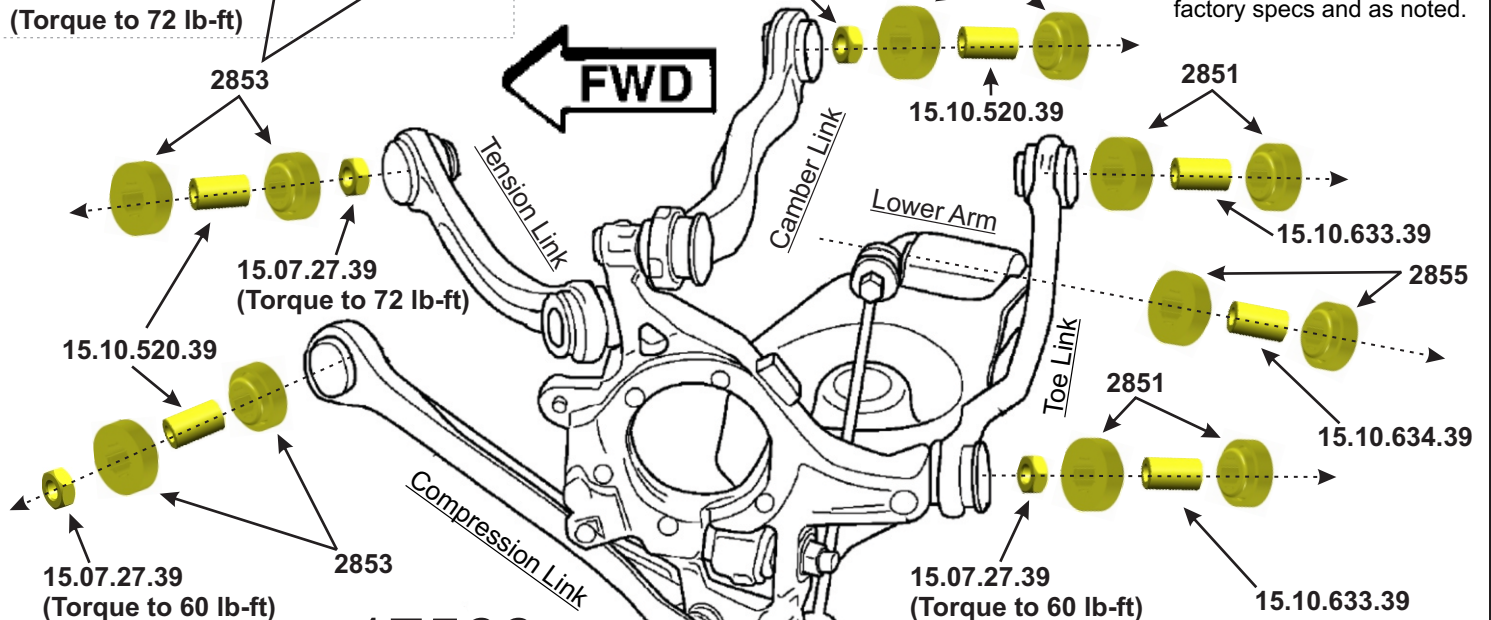
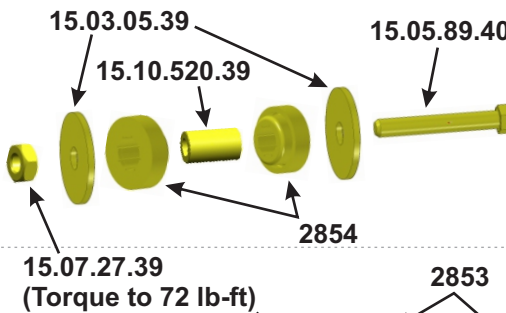
3. Use the supplied grease to thoroughly coat all surfaces that the polyurethane bushings will contact metal including the bushing I.D. and sleeve O.D. and install them in the locations shown in the diagram. Press the supplied sleeves into the I.D. of the bushings and install all the remaining hardware exactly as oriented in the diagram. Retain the factory hardware where no new hardware is supplied.

4. Tighten all hardware back to factory specs and as noted.

#### Tension Link at Knuckle Position



#### Camber Link at Knuckle Position



**17566**  
7/AUG/17 BEL  
ECN 17057 REV. F

\*Compression Link and Lower Arm bushings for knuckle positions are not replaced.