

# INSTALLATION INSTRUCTIONS FOR SET #5-10101 STEERING RACK BUSHINGS

**ENERGY  
SUSPENSION**

1131 VIA CALLEJON, SAN CLEMENTE, CA 92673

**NOTE:** Must reuse factory sleeves, bolts, and washers.

## DIRECTIONS

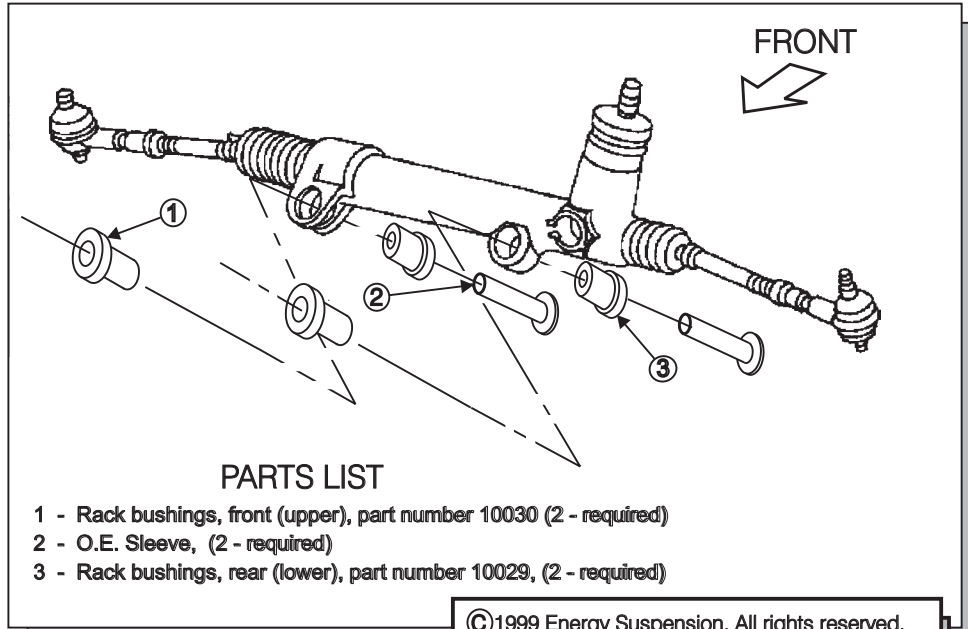
1.) Lock steering wheel to prevent it from rotating, before loosening any fasteners. Raise front of vehicle and support properly, allowing easy access to steering rack location.

2.) Remove rack attaching bolts and remove old bushings.

3.) Install new bushings and O.E. sleeves as shown in diagram.

4.) Position steering rack for installation. Be sure to check that the steering shaft has not separated from the steering rack. Install original bolts and washers, and torque to factory specifications.

**NOTE:** If steering wheel is turned while steering shaft is separated from steering rack, premature deployment of air bag may result!



## PARTS LIST

- 1 - Rack bushings, front (upper), part number 10030 (2 - required)
- 2 - O.E. Sleeve, (2 - required)
- 3 - Rack bushings, rear (lower), part number 10029, (2 - required)

©1999 Energy Suspension. All rights reserved.  
May not be reproduced, in any form, or by any means,  
without the the written consent of Energy Suspension.

17277  
3MARR99 JL

# INSTALLATION INSTRUCTIONS FOR SET #5-10101 STEERING RACK BUSHINGS

**ENERGY  
SUSPENSION**

1131 VIA CALLEJON, SAN CLEMENTE, CA 92673

**NOTE:** Must reuse factory sleeves, bolts, and washers.

## DIRECTIONS

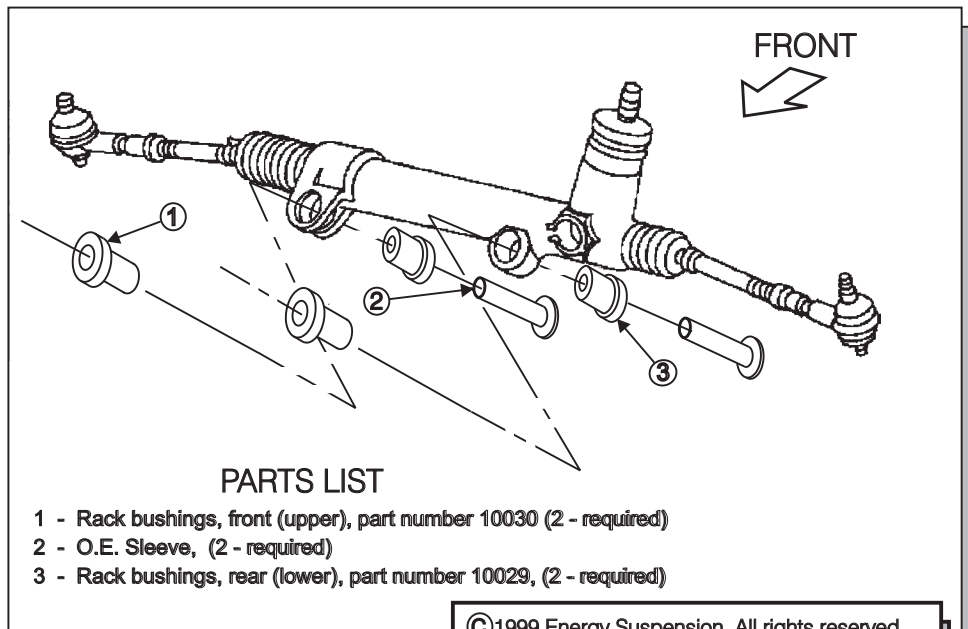
1.) Lock steering wheel to prevent it from rotating, before loosening any fasteners. Raise front of vehicle and support properly, allowing easy access to steering rack location.

2.) Remove rack attaching bolts and remove old bushings.

3.) Install new bushings and O.E. sleeves as shown in diagram.

4.) Position steering rack for installation. Be sure to check that the steering shaft has not separated from the steering rack. Install original bolts and washers, and torque to factory specifications.

**NOTE:** If steering wheel is turned while steering shaft is separated from steering rack, premature deployment of air bag may result!



## PARTS LIST

- 1 - Rack bushings, front (upper), part number 10030 (2 - required)
- 2 - O.E. Sleeve, (2 - required)
- 3 - Rack bushings, rear (lower), part number 10029, (2 - required)

©1999 Energy Suspension. All rights reserved.  
May not be reproduced, in any form, or by any means,  
without the the written consent of Energy Suspension.

17277  
3MARR99 JL