

# INSTRUCTION SHEET FOR SET #4.4113

Read this instruction sheet thoroughly before initiating any work!



1131 VIA CALLEJON, SAN CLEMENTE, CA 92673

*It is recommended that if you are unfamiliar with this type of work that you refer to a qualified service center specializing in this type of work. It is also recommended that if you choose to do this work yourself that a factory service manual be obtained for the proper procedures pertaining to removal, replacement and proper torque specifications for your vehicle. This instruction set is intended as a guideline for the safe installation of Energy Suspension's Polyurethane.*

© 2003 Energy Suspension. All rights reserved.  
May not be reproduced, in any form, or by any means, without the written consent of Energy Suspension.

1. Once you have removed the trim panels, rear seat, and pulled the carpet back, loosen positions 1,2,3 and remove the bolts from the opposite side of the vehicle. Now, to prevent the body from twisting or crushing, using jacks, evenly lift the body on one side of the car, making sure the jack heads are on a rigid part of the body.
2. Remove all factory mounts and hardware and replace with Energy Suspension bushings and hardware and tighten bolts **snug only!**
3. Now lift other side and repeat step 2.
4. When all bushings and hardware are installed, tighten to factory specifications. Installation is reverse of removal.



Remove trim panels.



Remove seat bolts.



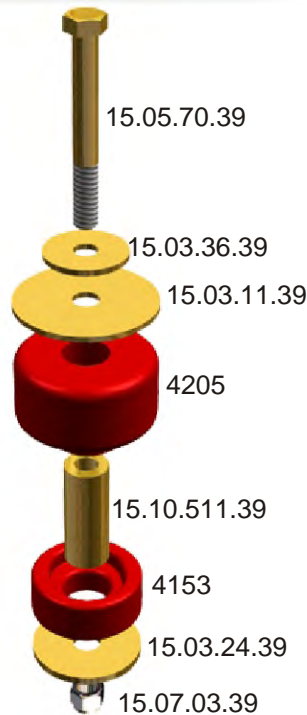
Lift back carpet in rear of cab.



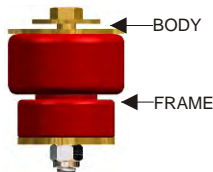
Lift back carpet in passenger area.



POSITIONS 1,2,



POSITION 3



**NOTE:**

If you are having trouble removing the lower body mounts, use a larger washer and a deep sleeve to fit over the lower mount and tighten the factory bolt back into the upper body mount from under the truck. This will act as a puller device to remove the lower body mount.

(See picture at right)



Remove body mounts.

