

## Set # 4-4111

### Removal

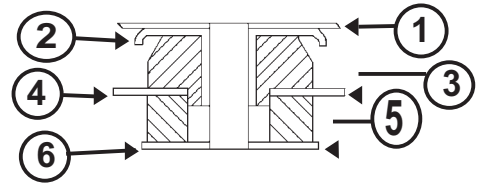
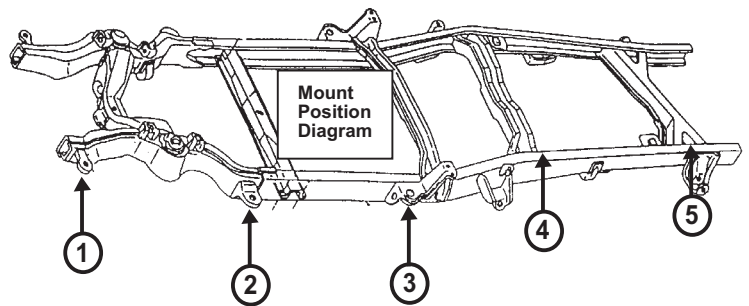
**Spray all nuts to be removed generously with your favorite rust buster.**

**Note:** When disassembling, note the quantity and positions of any shims that may have been inserted for body alignment. These shims will have to be reused to insure proper body alignment.

**Remember:** Only raise body high enough to remove & replace mounts. Always watch the fan shroud for sufficient clearance when raising the body. When jacking the body use a long enough 2X4 or 4X4 for maximum support. Never put jack directly on body panels.

Install mounts one side at a time with bolts on other side loosened only.

**Retorque to factory specs.**



Parts Diagram  
(refer below)

**Must reuse factory hardware.**

#### Position # 1

1. Body
2. Factory washer with sleeve
3. 4150
4. Frame
5. 4151
6. Factory washer

#### Position #2-5

1. Body
2. Factory washer with sleeve
3. 4152
4. Frame
5. 4153
6. Factory washer

INST.#17268  
22JUN/98 BRH

## Set # 4-4111

### Removal

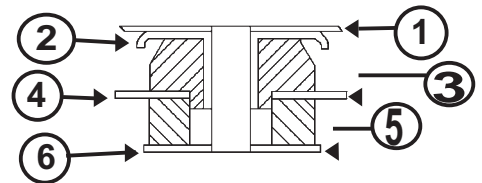
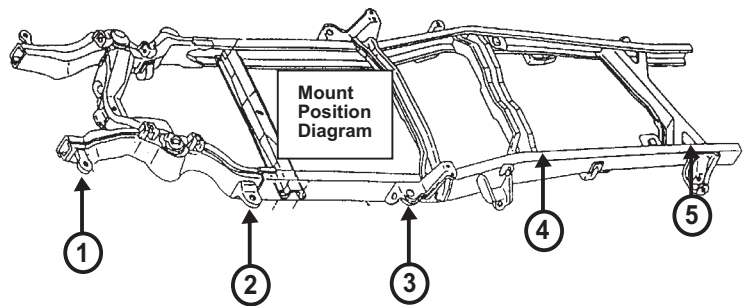
**Spray all nuts to be removed generously with your favorite rust buster.**

**Note:** When disassembling, note the quantity and positions of any shims that may have been inserted for body alignment. These shims will have to be reused to insure proper body alignment.

**Remember:** Only raise body high enough to remove & replace mounts. Always watch the fan shroud for sufficient clearance when raising the body. When jacking the body use a long enough 2X4 or 4X4 for maximum support. Never put jack directly on body panels.

Install mounts one side at a time with bolts on other side loosened only.

**Retorque to factory specs.**



Parts Diagram  
(refer below)

**Must reuse factory hardware.**

#### Position # 1

1. Body
2. Factory washer with sleeve
3. 4150
4. Frame
5. 4151
6. Factory washer

#### Position #2-5

1. Body
2. Factory washer with sleeve.
3. 4152
4. Frame
5. 4153
6. Factory washer

INST.#17268  
22JUN/98 BRH