

# Installation instructions

For set # 4.3167

2005-14 Ford Mustang

## Rear Upper Trailing Arm Bushings

**ENERGY**  
**SUSPENSION** 

1131 VIA CALLEJON, SAN CLEMENTE, CA 92673

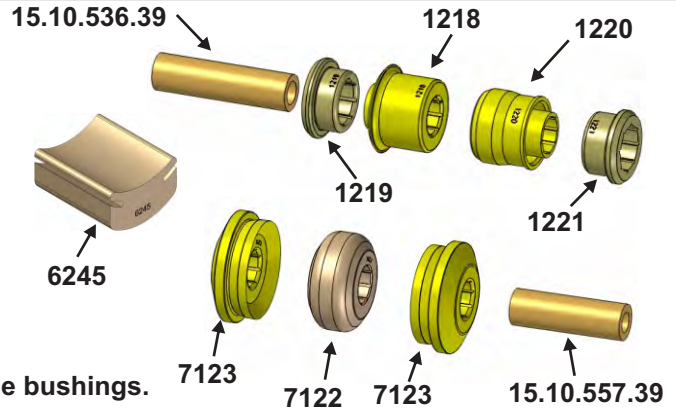
© 2006 Energy Suspension. All rights reserved.  
May not be reproduced, in any form, or by any means,  
without the written consent of Energy Suspension.

It is recommended that if you are unfamiliar with this type of work that you refer to a qualified service center specializing in this type of work. It is also recommended that if you choose to do this work yourself that a factory service manual be obtained for the proper procedures pertaining to removal, replacement and proper torque specifications for your vehicle. This instruction set is intended as a guideline for the safe installation of Energy Suspension's polyurethane bushings, once you have removed the factory components from your vehicle.

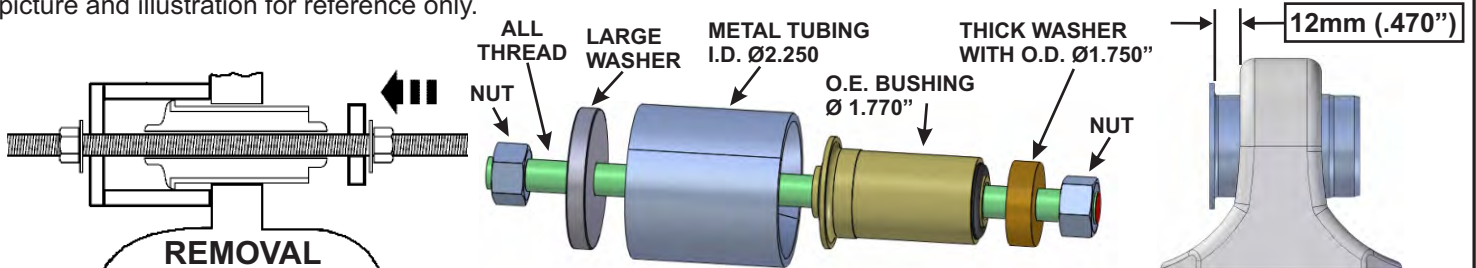
### Parts list:

- 1 - 7122 body pos. (inner bushing).
- 2 - 7123 body pos. (outer bushing).
- 1 - 15.10.557.39 (sleeve 1.00" O.D. x .563" I.D. x 3.150" LG)..
- 1 - 1218 upper diff. pos.(driver side inner bushing).
- 1 - 1219 upper diff. Pos.(driver side outer bushing).
- 1 - 1220 upper diff. Pos.(pasenger side inner bushing).
- 1 - 1221 upper diff. Pos.(pasenger side outer bushing).
- 1 - 15.10.536.39 (sleeve .875" O.D. x .563" I.D. x 3.350" LG).
- 1 - 6245 (differential pinion snuber)
- 4 - 9.11108 (grease).
- 1 - 17484 (this instruction sheet).

Apply grease to all metal parts that contact the polyurethane bushings.



**Note:** It is recommended that the O.E. bushing be pressed out from the differential first and moved to a safe location before applying any heat to remove old rubber from the outer metal shell. Recommended apparatus to remove shell is not supplied, picture and illustration for reference only.



Tighten the two nuts to work the bushing out of the diff. Do not destroy stock metal shell, it needs to be reused.

To remove rubber bushing, evenly apply heat to outside casing. This heat will brake the glue bond and the bushing will push out. At no time should there be flames, only steady heat.

Reinstall the metal shell so there is a gap of at least **12 mm (0.47 inch)** between the bushing flange and the rear axle bracket.

With a hacksaw (Fig.A), cut off the flange of O.E. Bushing so it can be pressed out (Fig B). Press out the OE bushing metal shell with something smaller than Ø2.557. Support the trailing arm with tubing that has an I.D. bigger than Ø2.557 and long enough for the OE metal shell to drop into (Fig C).



17484

13/DEC/06 BRH

