

**OPEN FIRST!**

# Installation Instructions

For set # 4.1139  
2015+ Ford Mustang GT  
Rear Differential Bushing Set

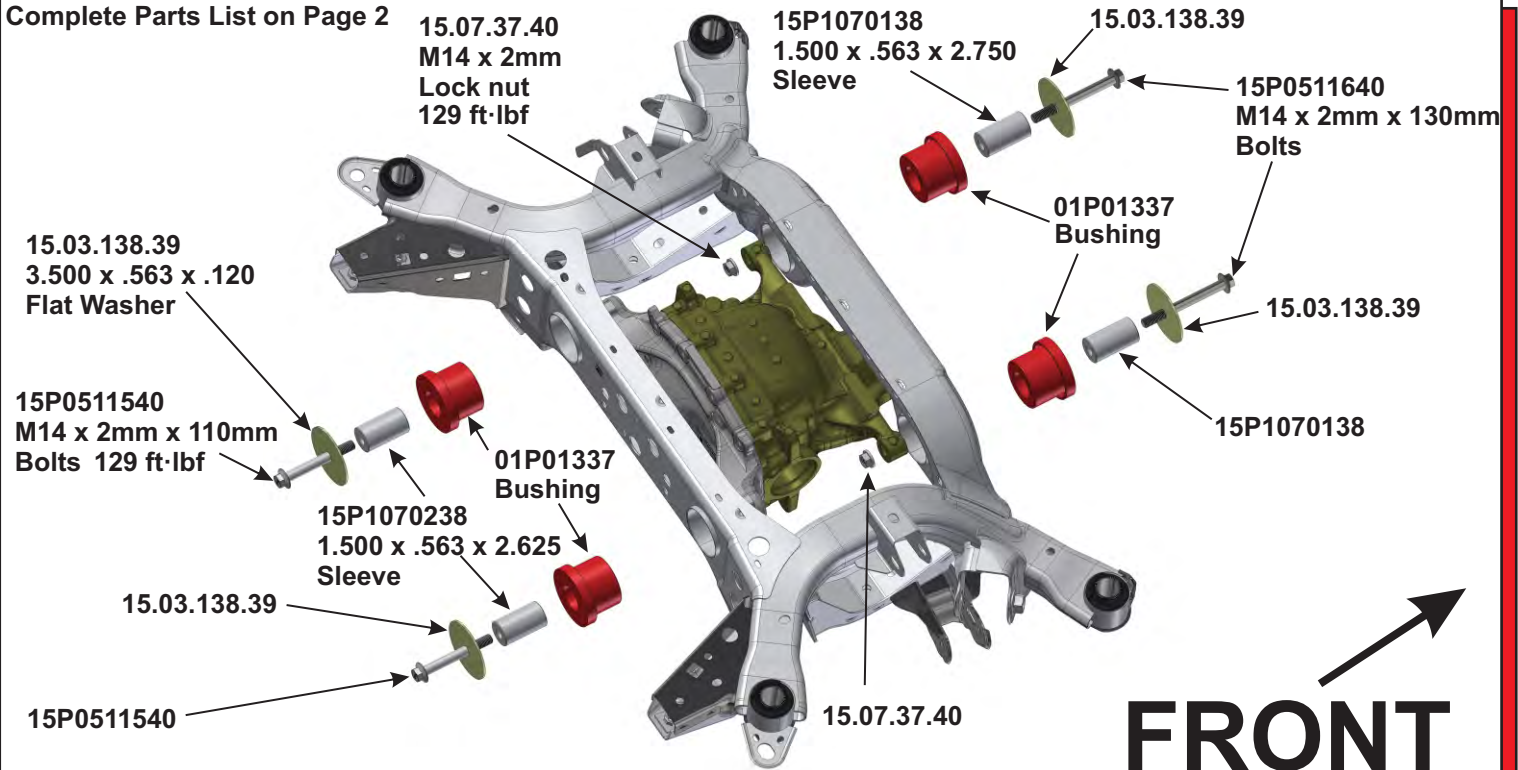


1131 VIA CALLEJON, SAN CLEMENTE, CA 92673

© 2015 Energy Suspension. All rights reserved.  
May not be reproduced, in any form, or by any means,  
without the written consent of Energy Suspension.

It is recommended that if you are unfamiliar with this type of work that you refer to a qualified service center specializing in this type of work. It is also recommended that if you choose to do this work yourself that a factory service manual be obtained for the proper procedures pertaining to removal, replacement and proper torque specifications for your vehicle. This instruction set is intended as a guideline for the safe installation of Energy Suspension's polyurethane bushings, once you have removed the factory components from your vehicle. Wheel alignment is almost always disturbed when suspension components are removed or replaced. It is recommended that you have the alignment checked on your vehicle at a qualified alignment shop. Energy Suspension recommends that you read over all the installation instructions and check all P/N's and quantities in the parts list before you start. Call customer service at 949-361-3935 if the parts in your kit do not match this parts list. Prior to installation, make sure that your vehicle is in top mechanical condition and that there are no suspension or steering related problems. This part has been designed to work only with a vehicle that is in good state of repair. No matter how carefully we design our parts, this is one area we have no control over and cannot be held responsible.

Complete Parts List on Page 2



## REAR DIFFERENTIAL BUSHINGS REMOVAL/INSTALLATION

**ATTENTION:** We recommend acquiring a Ford factory workshop manual for all warnings and procedures to safely remove and install the rear sub frame, drive shaft, differential, half shafts and rear knuckles. Or go online to [www.helminc.com](http://www.helminc.com) for an Online Service Information Subscription. Ford requires replacement of all hardware with any self-locking feature; refer to the factory workshop manual for examples of self-locking nuts and bolts. This instruction set is intended as a guideline for the safe installation of Energy Suspension's polyurethane differential bushings, once you have removed the factory rear sub frame from your vehicle. Check that the parts you received in this kit match the parts listed on page 2. **(Fig. 1)** A portable 10 ton hydraulic pull back ram was used to remove the factory rubber bushings and should be available from any tool and equipment rental company in your area. **(Fig. 2)** Remove the 4 bolts that mount the differential to the factory rubber bushings and set aside. **(Fig. 3)** All 4 factory rubber bushings have the same size outside diameter and will use the same setup to remove each position. **(Fig. 4 & 5)** The outer metal shell of the factory rubber bushing must be pressed out. **(Fig. 6)** After all 4 factory rubber bushings have been removed, remove all sharp edges on sub frame that will contact the polyurethane bushings. Install the new polyurethane bushings as shown in the parts diagram above. Position the differential in the sub frame and install the supplied bolts. Torque the rear bolts to 129 ft-lb and torque the front nut and bolts to 129 ft-lb. Reinstall the sub frame according to the factory workshop manual. After completing the installation, double check that all hardware has been properly torqued to factory specs. You should periodically inspect all hardware and components and replace any damaged components as necessary to maintain the reliability of your vehicle. **\*Note:** Installing firmer polyurethane sub frame and/or differential bushings will increase NVH and driveline noise.

# Installation Instructions

For set # 4.1139  
2015+ Ford Mustang GT  
Rear Differential Bushing Set

© 2015 Energy Suspension. All rights reserved.  
May not be reproduced, in any form, or by any means,  
without the written consent of Energy Suspension.

Fig. 1

## Parts list: 4.1139

- 4 - 01P01337 Differential Bushing
- 2 - 15P1070138 Sleeve 1.500 x .563 x 2.750
- 2 - 15P1070238 Sleeve 1.500 x .563 x 2.625
- 2 - 15P0511540 Bolt M14 x 2.0mm x 110mm
- 2 - 15P0511640 Bolt M14 x 2.0mm x 130mm
- 2 - 15.07.37.40 Lock nut M14 x 2.0mm
- 4 - 15.03.138.39 Washer 3.50 x .563 x .120
- 1 - 17P17645 Instruction Sheet

Fig. 2

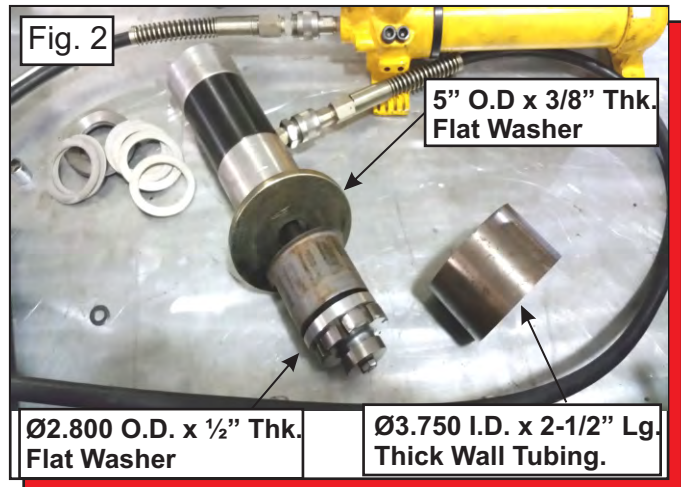


Fig. 3

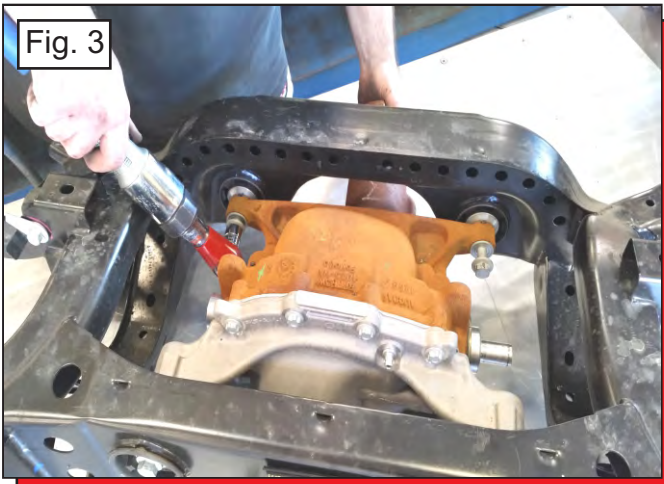


Fig. 4



Fig. 5

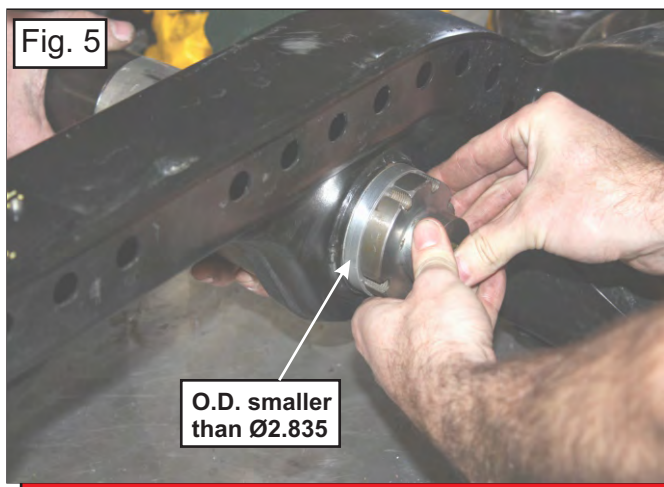


Fig. 6

