

INSTRUCTION SHEET

Corvette Endlink Sets



1131 VIA CALLEJON, SAN CLEMENTE, CA 92673

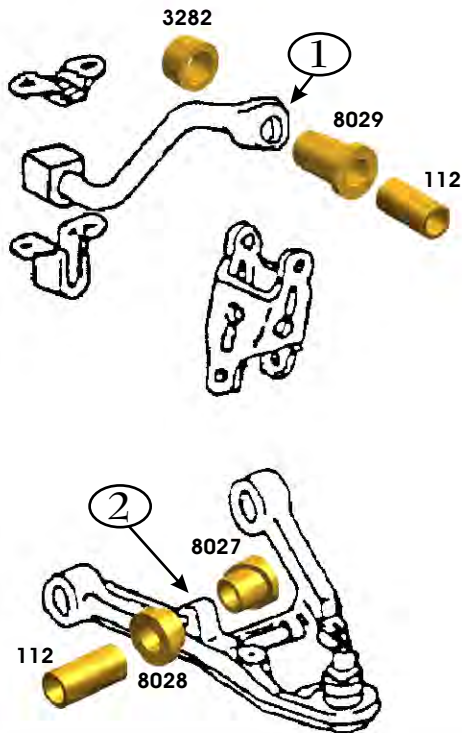
It is recommended that if you are unfamiliar with this type of work that you refer to a qualified service center specializing in this type of work. It is also recommended that if you choose to do this work yourself that a factory service manual be obtained for the proper procedures pertaining to removal, replacement and proper torque specifications for your vehicle. This instruction set is intended as a guideline for the safe installation of Energy Suspension's Polyurethane.

© 2004 Energy Suspension. All rights reserved.
May not be reproduced, in any form, or by any means,
without the written consent of Energy Suspension.

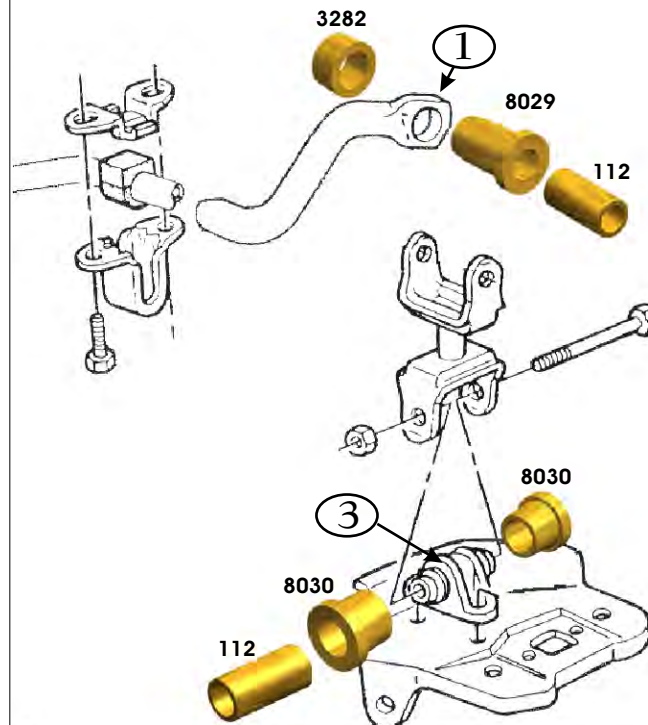
- 1) The outer metal shell of this bushing must be reused. **DO NOT** remove from swaybar eye.
- 2) Complete bushing assembly including outer metal shell must be removed before new urethane part can be installed. (Can be tapped out with a hammer) **NOTE: DO NOT** remove shell from front sway bar.
- 3) Rubber is bonded to the inside diameter of this bracket. With the bracket removed from the vehicle, heat must be applied to remove the rubber. Use caution when heating bracket. Do not overheat the aluminum.

These instructions for endlinks only. Sway bar bushings must be purchased separately.

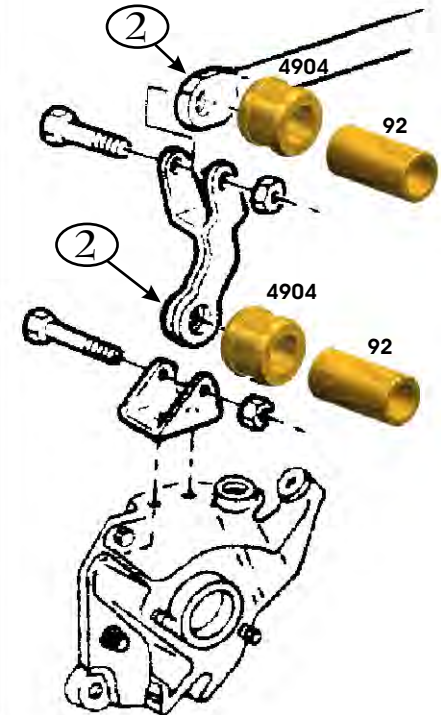
Front Set for 1988-95



Front Set for 1984-87



Rear Set for 1963-96



17056 030904