

# Installation instructions

for set # 3.4161  
1964-72 Oldsmobile Cutlass

© 2014 Energy Suspension. All rights reserved.  
May not be reproduced, in any form, or by any means,  
without the written consent of Energy Suspension.



1131 VIA CALLEJON, SAN CLEMENTE, CA 92673

## Page 1 of 2

It is recommended that if you are unfamiliar with this type of work that you refer to a qualified service center specializing in this type of work. It is also recommended that if you choose to do this work yourself that a factory service manual be obtained for the proper procedures pertaining to removal, replacement and proper torque specifications for your vehicle. This instruction set is intended as a guideline for the safe installation of Energy Suspension's polyurethane bushings, once you have removed the factory components from your vehicle. Wheel alignment is almost always disturbed when suspension components are removed or replaced. It is recommended that you have the alignment checked on your vehicle at a qualified alignment shop. Energy Suspension recommends that you read over all the installation instructions and check all P/N's and quantities in the parts list before you start. Call customer service at 949-361-3935 if the parts in your kit do not match this parts list. Prior to installation, make sure that your car is in excellent mechanical condition and that there are no suspension or steering related problems. This part has been designed to work only with a car that is in good state of repair. No matter how carefully we design our parts, this is one area we have no control over and cannot be held responsible.

### PARTS LIST:

- 2 - 04P04342 CORE POS 1 UPPER
- 2 - 04P04343 CORE POS 1 LOWER
- 6 - 04P04344 POS 2, 7 & 8 UPPER
- 6 - 04P04345 POS 2, 7 & 8 LOWER
- 2 - 04P04346 POS 4 UPPER
- 2 - 04P04347 POS 4 LOWER
- 4 - 04P04348 POS 5 & 6 UPPER ONLY
- 12 - 15.03.04.39 1-1/8" X 7/16" X .100" FLAT WASHER POS 1, 2, 4, 7 & 8
- 6 - 15.03.07.39 2-1/2" X 7/16" X 1/8" FLAT WASHER POS 2, 7 & 8
- 10 - 15.03.09.39 2.00" X 7/16" X 1/8" FLAT WASHER POS 1, 2, 4, 7 & 8
- 2 - 15.03.13.39 1-3/4" X 7/16" X 1/8" FLAT WASHER POS 1
- 2 - 15.03.28.39 2-1/2" X 3/4" X 1/8" FLAT WASHER POS 4
- 2 - 15.03.99.39 1-1/4" X 1/2" X .090" CAP WASHER POS 1
- 8 - 15.05.08.39 7/16-14 X 3" BOLT POS 1, 2, 7 & 8
- 2 - 15.05.76.39 7/16-14 X 2-1/4" BOLT POS 4
- 2 - 15.07.02.40 7/16-14 NYLOCK NUT POS 1
- 2 - 15P0704342 7/16-14 FLANGED HEX NUT POS 2
- 2 - 15.10.118.39 .750" X .625" X 1.490" SLEEVE POS 1
- 6 - 15.10.548.39 .875" X .625" X 1.625" SLEEVE POS 2, 7 & 8
- 2 - 15.10.605.39 1.00" X .750" X 1.625" SLEEVE POS 4
- 1 - 17P17634 INSTRUCTION SHEET

### Removal:

**Spray all nuts and bolts to be removed generously with your favorite rust buster before removal.**

Install mounts one side at a time with bolts on other side loosened only.

The front and rear bumpers will need to be removed. Before removal scribe match marks on frame to aid with reinstalling the bumper. The battery, battery tray and coolant overflow tank will need to be removed to access the front core support mounts (POS 1). For POS 2 there is a 1" square nut inside the body that must be held to keep from spinning while removing the bolt from underneath. There is an access hole on the firewall behind the fender well panel.

**Note:** When disassembling, note the quantity and positions of any shims that may have been inserted for body alignment. These shims will have to be reused to insure proper body alignment.

**Remember:** Only raise body high enough to remove & replace mounts. Always watch the fan shroud, brake lines, fuel lines, electrical wires, shift linkage and steering coupler for sufficient clearance when raising the body. When jacking the body use a long enough 2X4 or 4X4 for maximum support. Never put jack directly on body panels.

**Torque all bolts to 55 ft.-lbs. or until bolts bottom out on sleeves.**

17P17634 7/JUL/14 BRH ECN 14058

# Installation instructions

for set # 3.4161  
1964-72 Oldsmobile Cutlass

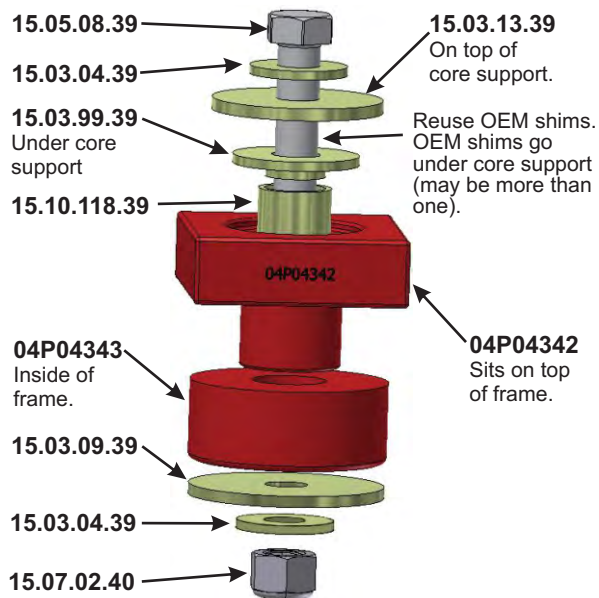
© 2014 Energy Suspension. All rights reserved.  
May not be reproduced, in any form, or by any means,  
without the written consent of Energy Suspension.



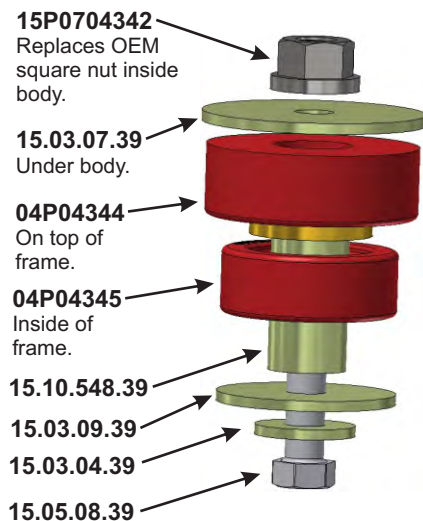
1131 VIA CALLEJON, SAN CLEMENTE, CA 92673

## Page 2 of 2

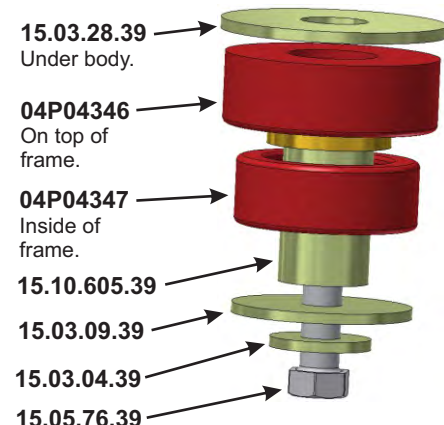
### POSITION # 1



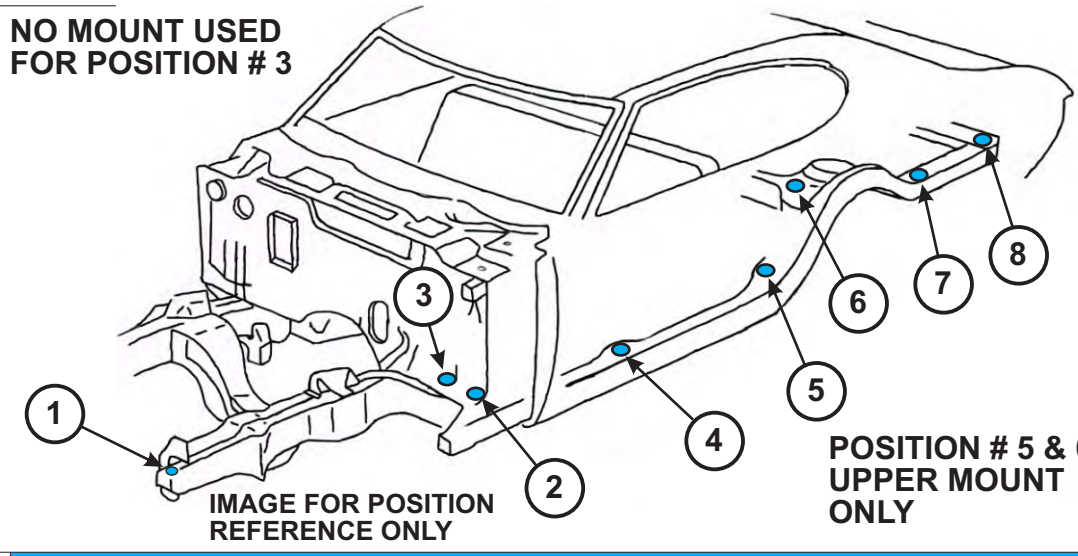
### POSITION # 2



### POSITION # 4



**POSITION # 5 & 6**  
No sleeve, bolts or washers are used in this location



### POSITION # 7 & 8

