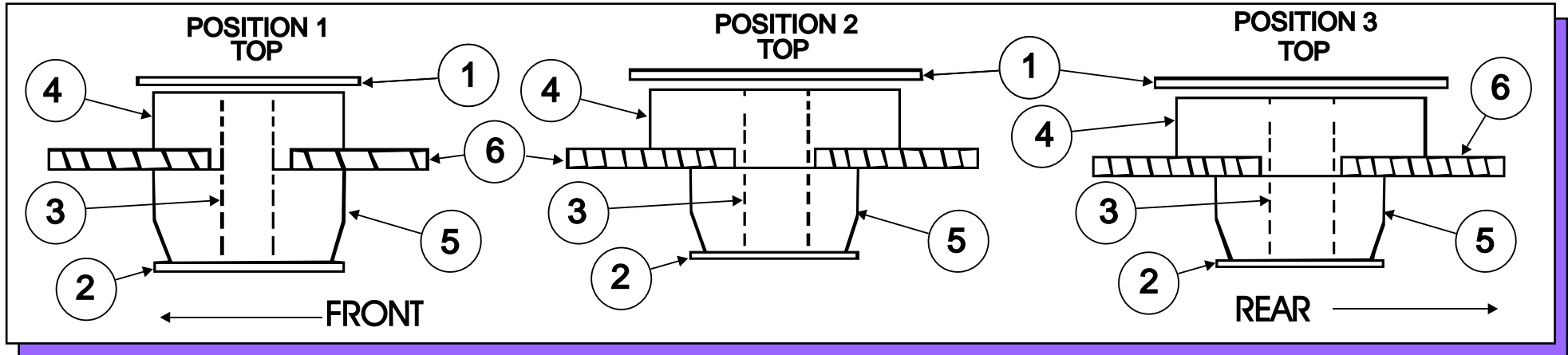


Installation Instructions for set # 3-4107



1131 VIA CALLEJON, SAN CLEMENTE, CA 92673

Note: It is recommended that this set be professionally installed if you are unfamiliar with this type of work, and a factory service manual be purchased prior to performing any work on your vehicle for proper disassembly, reassembly and torque specs..



FRONT #1 POSITION

1. 2-1/2" x 3/8" flat washer
 2. 2" x 3/8" flat washer
 3. Sleeve - 7/8" x 3/4" x 1-1/2"
 4. Top mount - 4025
 5. Bottom mount - 4026
 6. Frame
- NOTE: Use original bolt & nut

POSITION #2

1. 3" x 9/16" flat washer
 2. 2" x 9/16" flat washer
 3. Sleeve - (O.E.M.)
 4. Top mount .937 height
 5. Bottom conical - 4011
 6. Frame
- NOTE: Use original 9/16" x 6" bolt & nut

POSITION #3

1. Washer/sleeve combo (see Pic. A)
 2. 2" x 7/16" flat washer
 3. Sleeve - (O.E.M.) shorten to 3-7/8"
 4. Top mount - 4008
 5. Bottom mount - 4009
 6. Frame
- NOTE: Use 7/16" x 6-1/2" bolt supplied

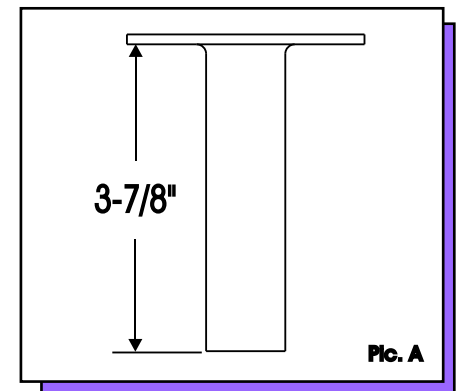
17015
10/AUG/07 BRH

1. Kit comes with 6 conical shaped grommets. Two of which have larger I.D. than the other four. The two large I.D. conicals fit the rear cab sleeves only.

2. The rear cab sleeves have to be shortened to a length of 3-7/8". The two bolts supplied will replace the O.E.M. bolts for the rear mounts only. The majority of these sleeves are heat treated, so cutting them with a conventional hacksaw may be difficult. Whether they are ground or flame cut, care must be taken on making a square cut to allow proper contact with the flat washer when final torque is applied. Torque spec. is 85 ft.-lbs.

3. The center (2) mounts will be slightly taller than the (2) front (core) mounts. You may use your existing hardware for these four points. Mounting bolts should be checked periodically.

4. The 6-1/2" long bolts supplied are not for use on trucks that have body lift blocks. If your truck has a body lift kit you will need to use longer bolts.



© 2005 Energy Suspension. All rights reserved.
May not be reproduced, in any form, or by any means,
without the written consent of Energy Suspension.