

INSTRUCTION SHEET FOR SET

#3-4104 - 78-80 Chevy 4x4 Body Mounts / #3.4105 - 73-77 Chevy 4x4 Body Mounts

Read this instruction sheet thoroughly before initiating any work!



1131 VIA CALLEJON, SAN CLEMENTE, CA 92673

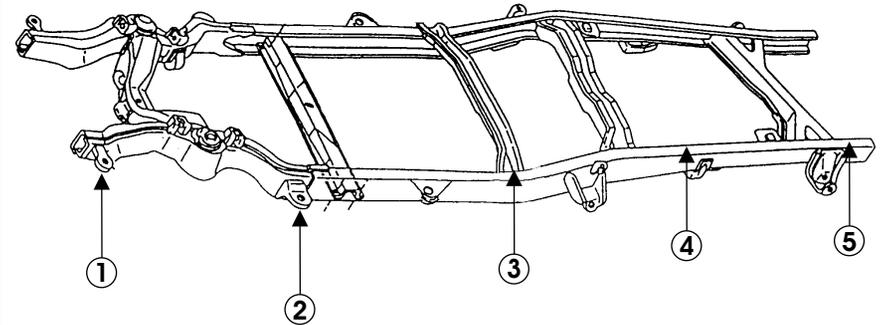
NOTE: When disassembling the body mounts, be sure to note the number and position of shims that may have been used to align the body. These shims will have to be reused to retain proper body alignment.

NOTE:The factory bracket used at position #5 to hold the lower cushion in place must not be reused. Supplied nuts are for rear bumper bolts.

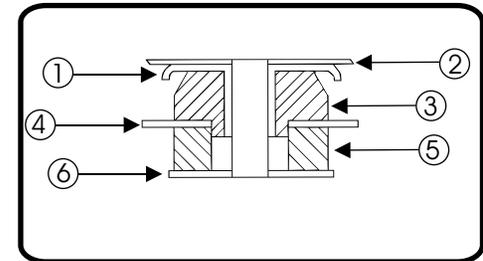
CAUTION: Remove all the body mount bolts on one side of the vehicle. Loosen but do not remove all the body mount bolts on the opposite side of the vehicle. Only raise one side of the vehicle at a time, lifting the body only high enough to remove/replace the mounts. Always watch the fan shroud, brake lines, and various hoses for sufficient clearance when raising the body. When jacking the body, use a 2x4 or 4x4 or equivalent to spread the weight. Never place jack faces directly on body panels!

When all mounts and hardware are installed, torque all bolts to factory specifications.

Must reuse original hardware
(When specified)



Parts Diagram(Refer below)



Set 3.4105 Use Position #3

Position #1

1. Body
2. Factory Sleeve
3. 4025
4. Frame
5. 4037
6. Supplied 2½" Washer

Position #2 - 3

1. Body
2. Factory Sleeve
3. 4010
4. Frame
5. 4011
6. Supplied 2" Washer

Position #3

1. Body
2. Factory sleeve cut to 33/4 "
3. 4008
4. Frame
5. 4009
6. Supplied 2" Washer
(Install new bolts at this position)

Position #4

1. Body
2. Supplied 2½" washer and 1.650 sleeve
3. 4092
4. Frame
5. 4037
6. Supplied 2½" Washer

Position #5

1. Body
2. Supplied 3" washer with 1.900 sleeve
3. 4010
4. Frame
5. 4037
6. Supplied 2½" Washer

Note: It is recommended that this set be professionally installed if you are unfamiliar with this type of work, and a factory service manual be purchased prior to performing any work on your vehicle for proper disassembly, reassembly and torque specs. These instructions are intended for bushing removal and install of Energy Suspension polyurethane bushings, once you have removed the factory component from your vehicle.

© 2003 Energy Suspension. All rights reserved.
May not be reproduced, in any form, or by any means, without the written consent of Energy Suspension.