

Installation instructions

For set # 3.1147 Chrome

For set # 3.1148 Gold

LS1 Engine adapter kit

ENERGY
SUSPENSION 

1131 VIA CALLEJON, SAN CLEMENTE, CA 92673

© 2009 Energy Suspension. All rights reserved.
May not be reproduced, in any form, or by any means,
without the written consent of Energy Suspension.

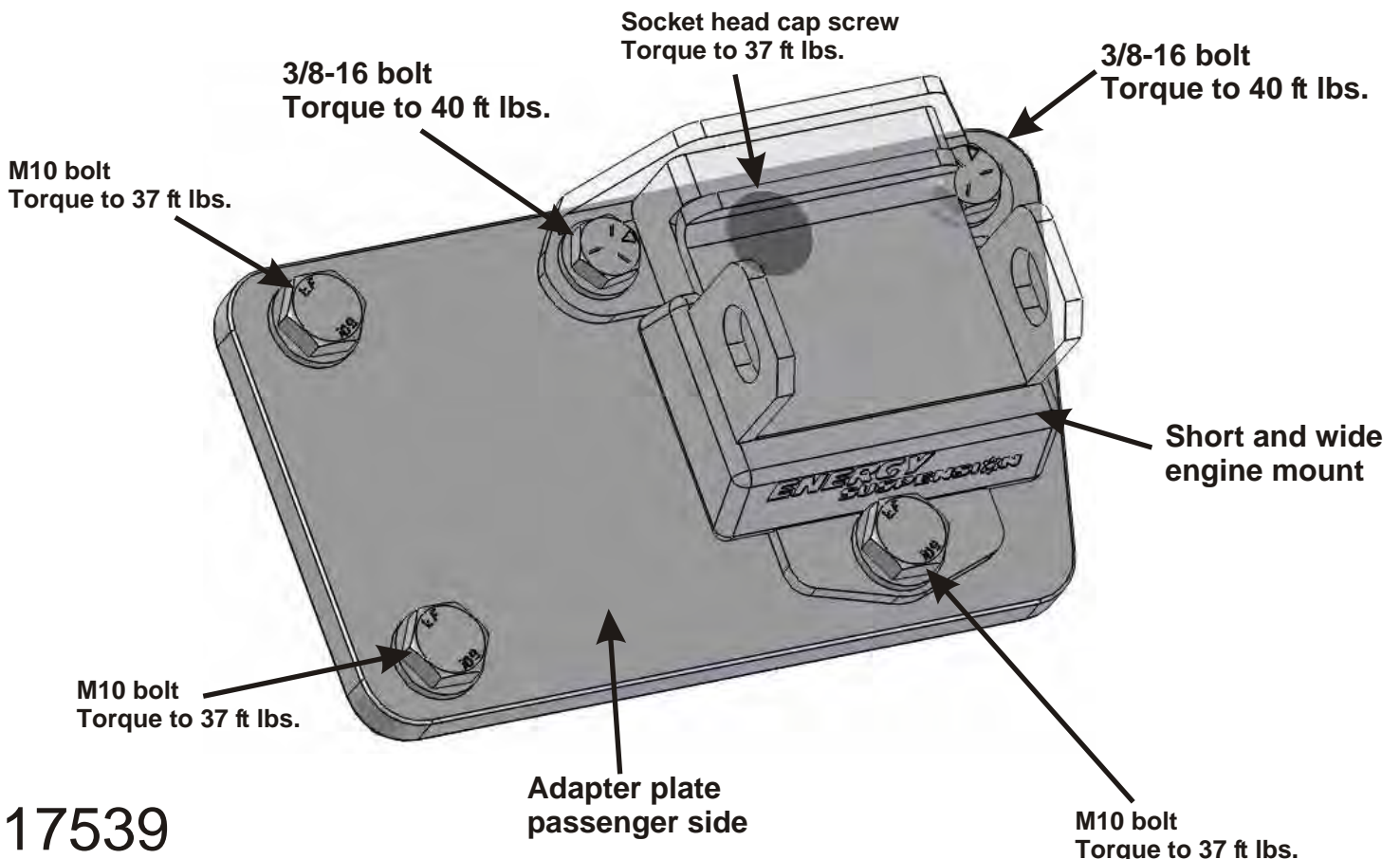
It is recommended that if you are unfamiliar with this type of work that you refer to a qualified service center specializing in this type of work. It is also recommended that if you choose to do this work yourself that a factory service manual be obtained for the proper procedures pertaining to removal, replacement and proper torque specifications for your vehicle. This instruction set is intended as a guideline for the safe installation of Energy Suspension's polyurethane bushings, once you have removed the factory components from your vehicle.

Parts list: 3.1147 Chrome

- 2 - 1106 (short and wide engine mount).
- 1 - 15.06.56.41 (adapter plate passenger side).
- 1 - 15.06.57.41 (adapter plate driver side).
- 2 - 15.05.85.41
(M10 x 1.5mm x 25mm socket head cap screw).
- 6 - 15.05.74.41 (M10 x 1.5mm x 35mm bolt).
- 4 - 15.05.36.41 (3/8-16 x 1.00" bolt).
- 10 - 15.03.122.41
(19mm O.D. x 10mm I.D. x .2mm flat washer).
- 1 - 17539 (this instruction sheet).

Parts list: 3.1148 Gold

- 2 - 1108 (short and wide engine mount).
- 1 - 15.06.56.39 (adapter plate passenger side).
- 1 - 15.06.57.39 (adapter plate driver side).
- 2 - 15.05.85.39
(M10 x 1.5mm x 25mm socket head cap screw).
- 6 - 15.05.74.39 (M10 x 1.5mm x 35mm bolt).
- 4 - 15.05.36.39 (3/8-16 x 1.00" bolt).
- 10 - 15.03.122.39
(19mm O.D. x 10mm I.D. x 2mm flat washer).
- 1 - 17539 (this instruction sheet).



17539

11/MAY/09 BRH