

Installation instructions

For set # 2.4114

2018 Jeep Wrangler JL 4 Door Body Mount Set



1131 VIA CALLEJON, SAN CLEMENTE, CA 92673

© 2018 Energy Suspension. All rights reserved.
May not be reproduced, in any form, or by any means,
without the written consent of Energy Suspension.

It is recommended that you refer to a qualified service center if you are unfamiliar with vehicle chassis and suspension repair work.

This instruction is intended as a guideline for the safe installation of Energy Suspension polyurethane bushings after original equipment has been removed from the vehicle. Reference the vehicle manufacturer's service manual for component removal and replacement procedures and torque specifications.

Before beginning work, read installation instructions and verify parts received match P/N's and quantities in the parts list. In the case of a discrepancy, contact Energy Suspension Customer Service (949-361-3935).

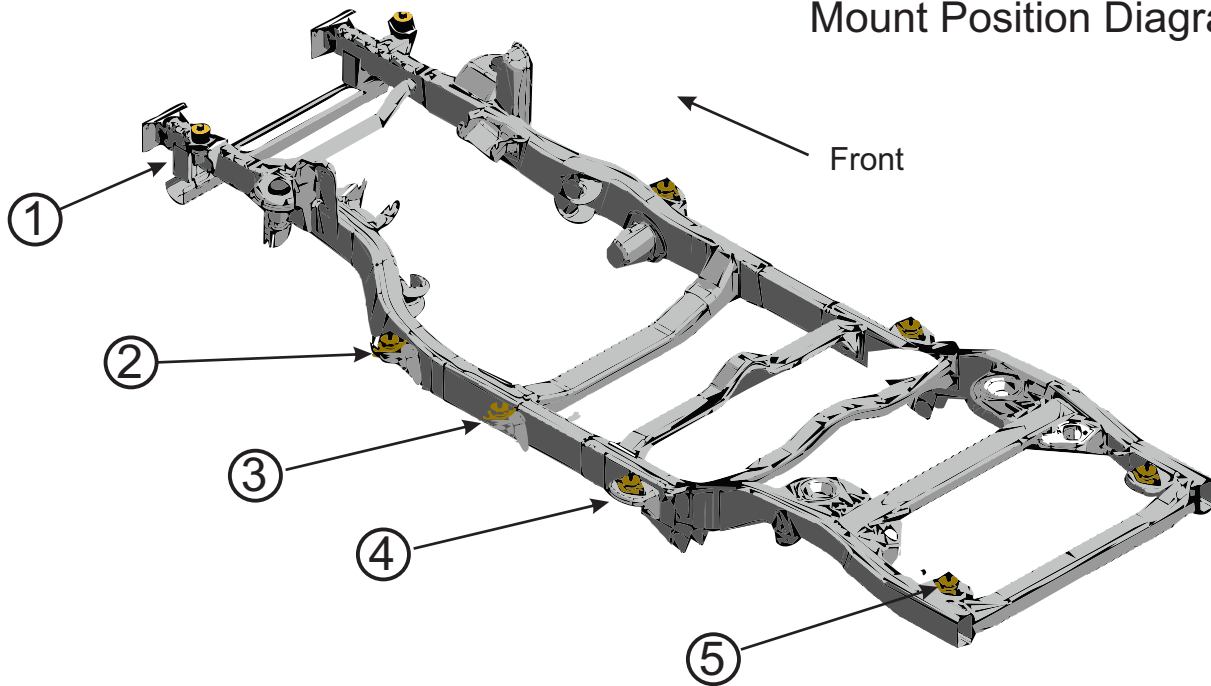
Energy Suspension parts are designed to work with vehicles in a good state of repair. We cannot be held responsible for suspension or steering related problems occurring due to poor vehicle maintenance.

Wheel alignment is altered when suspension components are removed and replaced. It is highly recommended that your vehicle is checked and adjusted by a qualified alignment shop prior to use.

Parts list: 2.4114

- 2 - **04P04406** (Upper mount core support POS. 1).
- 2 - **04P04407** (Upper mount POS. 2).
- 2 - **04P04408** (Lower mount POS. 2).
- 4 - **04P04409** (Upper mount POS. 3 & 4).
- 6 - **04P04410** (Lower mount POS. 1, 3 & 4).
- 2 - **04P04411** (Upper mount POS. 5).
- 2 - **04P04412** (Lower mount POS. 5).
- 4 - **15.03.14.39** (2-1/2" x 1/2" x .1/8" Flat washer POS. 1 Top & Bottom).
- 2 - **15.03.24.39** (2-1/2" x 5/8" x 3/16" Flat washer POS. 5 Top).
- 8 - **15.03.27.39** (2-1/2" x 1/2" x 3/16" Flat washer POS. 2, 3 & 4 Top).
- 32 - **15.03.69.39** (.13/16" x .3/8" x .1/8" Flat washer POS. 1, 3, 4 & 5 Top & Bottom).
- 2 - **15.03.85.39** (1-3/8" x .1/2" x .3/16" Flat washer POS. 1 Bottom).
- 16 - **15.05.13.39** (3/8-16" x 1-1/4" Bolt POS. 1, 3, 4 & 5).
- 2 - **15P0512240** (M12 x 1.75 x 90mm Bolt POS. 1).
- 16 - **15.07.01.40** (3/8-16" Nylock nut POS. 1, 3, 4 & 5).
- 2 - **15.07.27.40** (M12 x 1.75 Flange locknut POS. 1).
- 8 - **15.08.22.39** (Adapter plate POS. 1, 3, 4 & 5).
- 2 - **15.10.140.39** (.750" x .480" x 2.275" Sleeve POS. 1).
- 2 - **15.10.222.39** (.875" x .625" x 2.375" Sleeve POS. 5).
- 2 - **15.10.437.39** (.875" x .500" x 1.650" Sleeve POS. 2).
- 4 - **15P1072739** (.750" x .563" x 2.100" Sleeve POS. 3 & 4).
- 1 - **17P17702** (this instruction sheet).

Mount Position Diagram



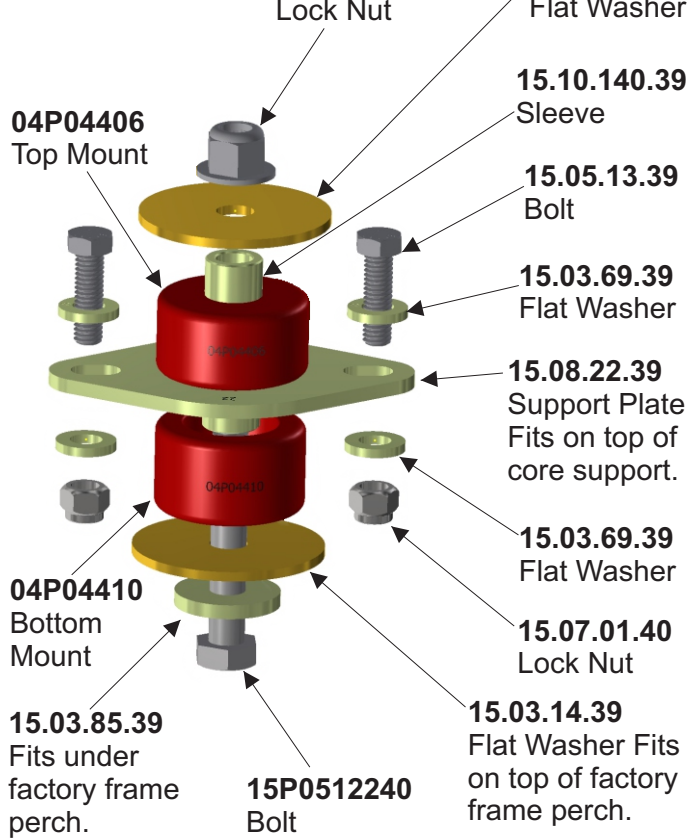
Grille Removal

Remove plastic push-in retainers from top of radiator grille, be careful not to damage retainers as these will be reused. Carefully, but with some force, pull the lower part of the plastic grille away from radiator cross member. Remove grille completely from vehicle and set aside.

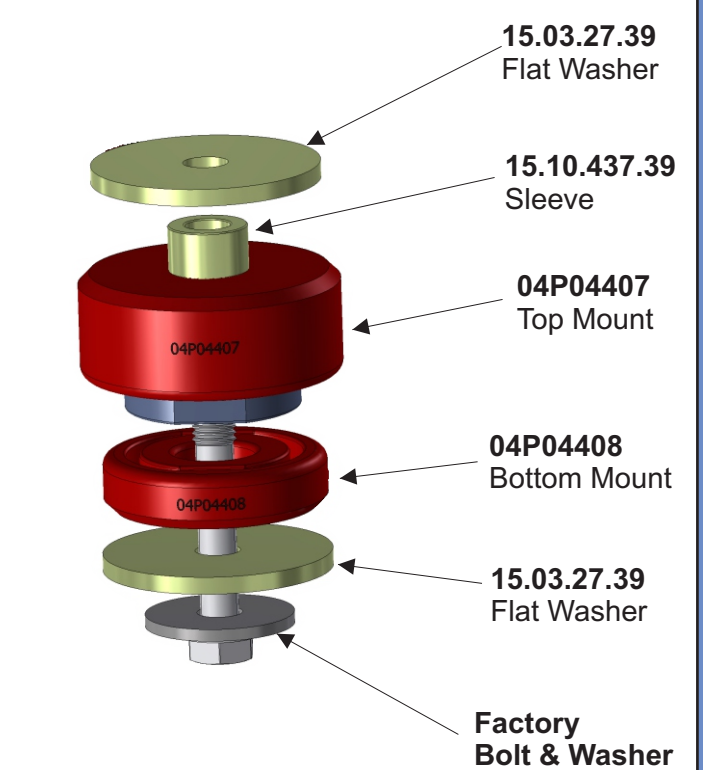
Body Mount Removal – Remove and Replace ONE side at a time!

Remove the M12 x 1.75 nut from front core position both sides. On the passenger side loosen the M12 x 1.75 bolts that secure body to original mounts from POS. 2, 3 & 4 and the M14 x 2.0 bolt from POS. 5. On the driver side remove the M12 x 1.75 bolts and M41 x 2.0 bolt. Remove all M10 x 1.5 nuts that secure original mounts to frame perches on both sides. Using car lift or floor jacks, support the body on the driver side. If the pinch seam is accessible for lifting, use two positions between the front and rear fender. If using floor jacks, or seams are obstructed, use 2"X 4" wood block about 10" long on each jack with each block positioned just inside the pinch seam. These blocks help spread the load when lifting the body above the frame. Lift the driver side body 2"-3" above the original body mounts, just enough to remove the original body mounts, lifting from both jacking points at the same time. The original mounts should just be able to slide up and out of their frame perches. Using the diagrams on page 3, install the new polyurethane body mounts at each position, taking note of the orientation and order. After all of the new mounts are in their correct positions, evenly lower the body down to about 1/8" above the new mounts. Install by hand a few threads the original M12 x 1.75 bolts and M14 x 2.0 bolt but do not tighten any of the new nuts or bolts yet! Lower and remove the jacks and repeat on the passenger side to install remainder of new body mounts. Once all new mounts have been positioned and the body is resting on new mounts, proceed to tighten the M12 x 1.75 bolts to the body to 80lb-ft and the M14 x 2.0 bolts to the body to 80lb-ft. Then tighten the bolts that secure the mounting plate to frame to 40lb-ft. Recheck all nuts and bolts before driving and visually inspect and re torque all fasteners after 200, 500 & 1000 miles. Recheck fasteners during routine vehicle service.

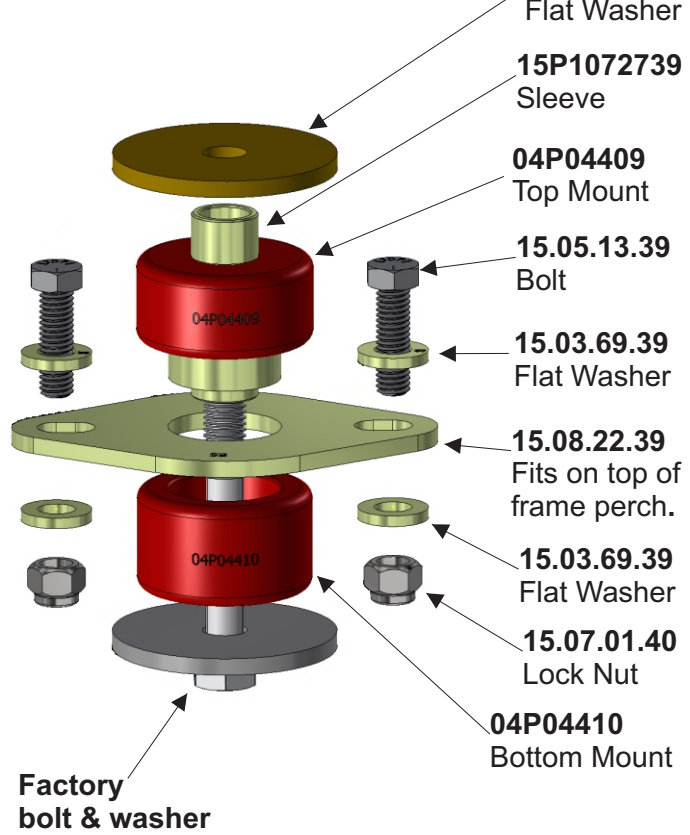
POS. 1



POS. 2



POS. 3 & 4



POS. 5

