

# Installation instructions

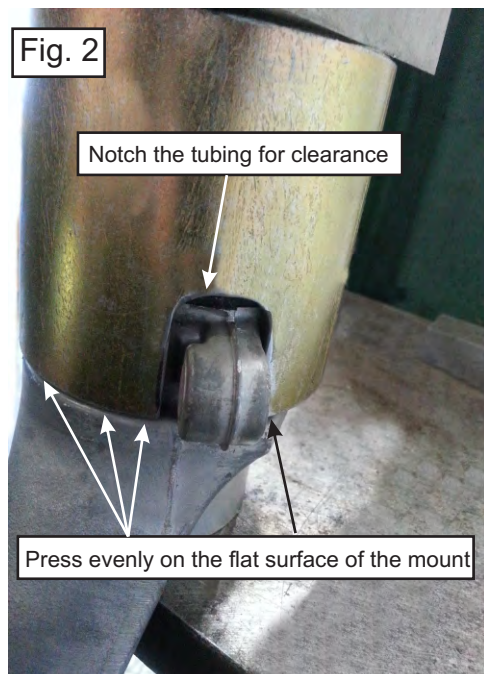
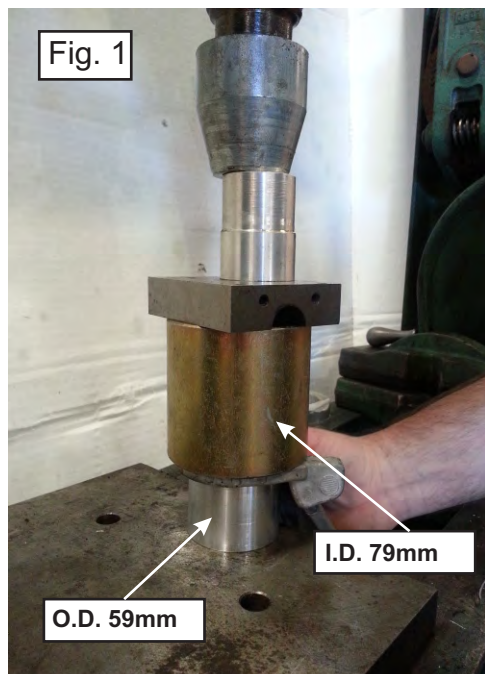
For set # 11.1101  
06-14 Mazda MX-5 Miata  
REAR DIFF BUSHING SET

**ENERGY**  
**SUSPENSION** 

1131 VIA CALLEJON, SAN CLEMENTE, CA 92673

© 2014 Energy Suspension. All rights reserved.  
May not be reproduced, in any form, or by any means,  
without the written consent of Energy Suspension.

It is recommended that if you are unfamiliar with this type of work that you refer to a qualified service center specializing in this type of work. It is also recommended that if you choose to do this work yourself that a factory service manual be obtained for the proper procedures pertaining to removal, replacement and proper torque specifications for your vehicle. This instruction set is intended as a guideline for the safe installation of Energy Suspension's polyurethane bushings, once you have removed the factory components from your vehicle. Wheel alignment is almost always disturbed when suspension components are removed or replaced. It is recommended that you have the alignment checked on your vehicle at a qualified alignment shop. Energy Suspension recommends that you read over all the installation instructions and check all P/N's and quantities in the parts list before you start. Call customer service at 949-361-3935 if the parts in your kit do not match this parts list. Prior to installation, make sure that your vehicle is in excellent mechanical condition and that there are no suspension or steering related problems. This part has been designed to work only with a vehicle that is in good state of repair. No matter how carefully we design our parts, this is one area we have no control over and cannot be held responsible.



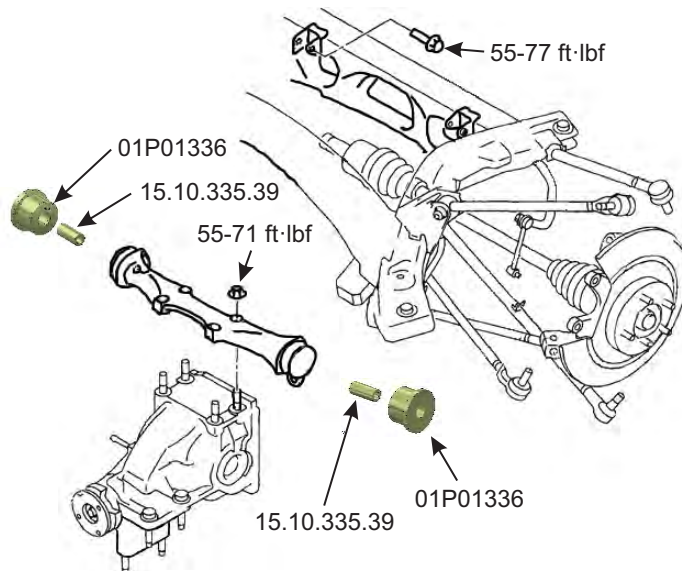
## DIFFERENTIAL MOUNT BUSHINGS REMOVAL/INSTALLATION

**ATTENTION:** We recommend acquiring a Mazda factory workshop manual for all warnings and procedures to safely remove and install the differential mount.

**REMOVAL:** Properly lift and support the vehicle with jack stands. Remove both rear wheels. Remove the rear under cover. Loosen all 6 rear sub-frame mounting nuts but do not remove completely. Leave nuts threaded on 3-4 threads. this allows access to the 4 nuts on top of the differential. Use a floor jack to support the differential. Remove the 2 differential mount bolts and the 4 nuts on top of the differential mount. Lower the differential but **DO NOT let it rest on the CV axle boots**. The differential mount must be removed from the driver side by a series of twists and rotating the mount under the sub frame around the CV axle, sway bar and end links. Remember how it came out and reinstall in reverse order. To remove the factory rubber bushings from the differential mount you will have to press down on the mount pushing the flanged metal shell up and out. The I.D. of the aluminum mount is  $\text{\O}2.362$ " (60mm). Use a piece of tubing with a 1mm smaller O.D. to push out the metal shell **Fig.1**. When pressing down on the mount place a length of tubing with an I.D. of  $\text{\O}3.125$ " on side of the mount that has a flat surface. You will need to notch the tubing for clearance on this side of the mount **Fig.2**. **The outer metal shell must be removed for this bushing kit to fit properly Fig.3** Install the new polyurethane bushings from the outside in, then install the metal sleeves. The bushings and sleeves will fit flush to the side of the aluminum mount. Reinstall the mount into the vehicle and torque all nuts and bolts to factory specs.

## Parts list: 11.1101

- 2 - 01P01336 Differential bushing
- 2 - 15.10.335.39 .875" x .500" x 1.943" Sleeve
- 1 - 17P17639 Instruction Sheet



17P17639

14/AUG14 BRH ECN 14072