

PERFORMANCE EXHAUST

## IMPORTANT WARRANTY & INSTALLATION INSTRUCTIONS ATTACHED

*Please Forward All Attached Information to Consumer. Warranty  
Not Valid Unless Returned to dB Performance Exhaust*

We ask that you take a few moments to  
Complete our warranty registration form.

To Activate Your 10 Year LIMITED WARRANTY, Go To:  
[dBexhaust.com/warranty](http://dBexhaust.com/warranty)



MADE IN THE USA



For Full-Color Installation Instructions, Please Visit:  
[dBexhaust.com](http://dBexhaust.com) & Search Part #

Please be sure to review the enclosed instructions prior to beginning the installation process. If you have any questions about the enclosed parts, instructions or encounter a problem during installation, CALL dB Performance Exhaust TECHNICAL ASSISTANCE AT 800.486.0999



**Please take time to read and understand these installation instructions.**

We recommend that the installation of this system be performed by a qualified service center or professional muffler installer who has the necessary equipment, tools and experienced personnel. However, if you decide to perform this install, the use of a hoist and an additional person will be required.

**CAUTION:** Never work on a hot exhaust system. Allow time for the vehicle to cool. Always wear eye protection when working under a vehicle.

**Please confirm that all parts are present before beginning the factory exhaust system removal and dB Performance Exhaust system installation.**

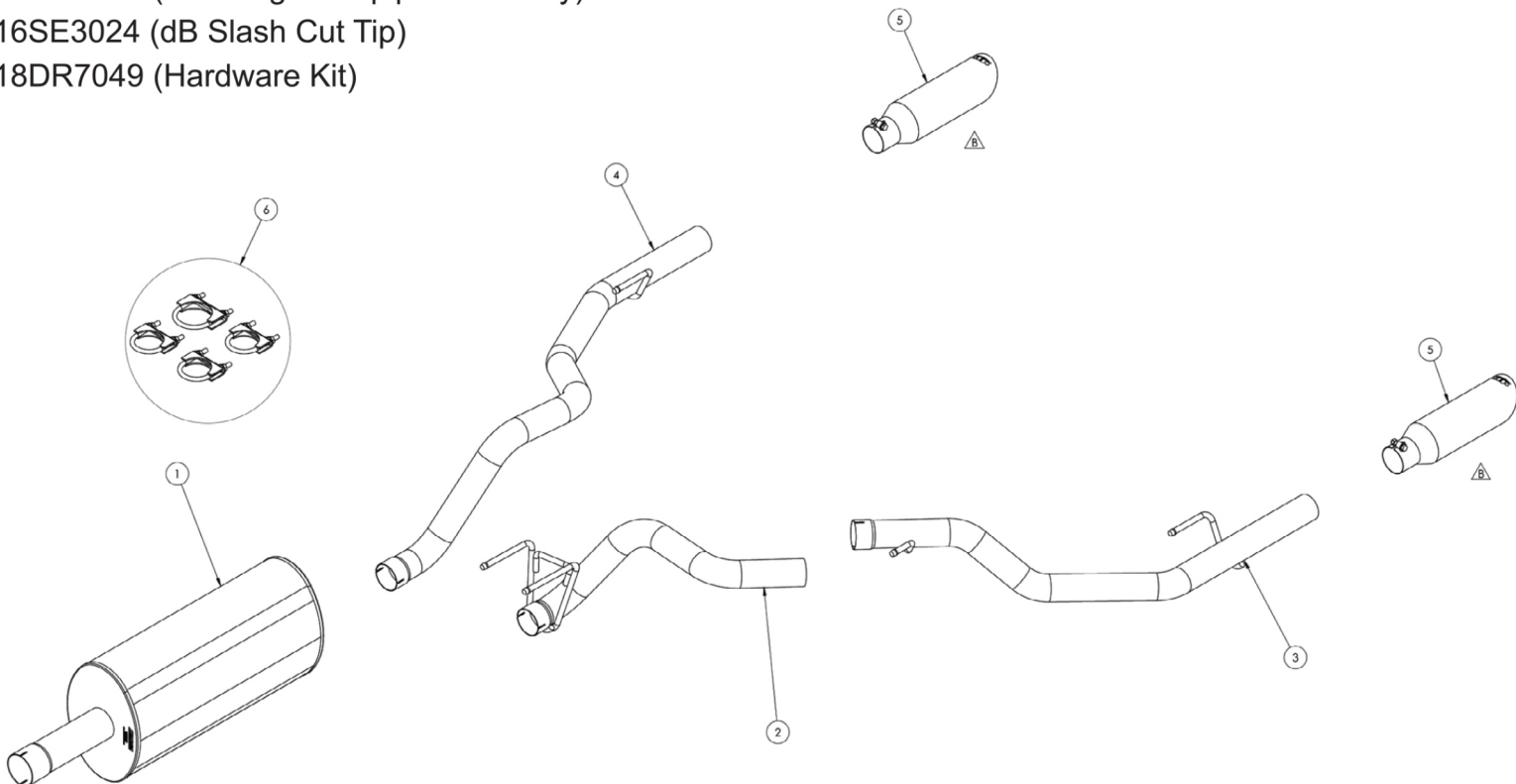
**Recommended Tools:**

- Safety Glasses
- 15mm Socket
- Grommet Pullers

- Torque Wrench
- Soap & Water Solution

**Bill of Materials:**

- 1 18DR2015 (Muffler Assembly)
- 2 18DR4049 (Driver Axle Pipe Assembly)
- 3 18DR4054 (Driver Tailpipe Assembly)
- 4 18DR4050 (Passenger Tailpipe Assembly)
- 5 16SE3024 (dB Slash Cut Tip)
- 6 18DR7049 (Hardware Kit)





## Removal of Stock Exhaust System:

- Using a 15mm socket, loosen the factory clamps connecting the tailpipes to the muffler. (See Fig. A).  
**NOTE:** The use of a soapy water solution may aid in the removal and later installation of the hangers in the rubber isolators.
- Using a grommet puller or similar device, remove the passenger tailpipe hanger. Remove the passenger tailpipe over the axle towards the rear of the vehicle. (See Fig. B, C).
- Remove the driver side tailpipe hangers and remove the driver side tailpipe over the axle towards the rear of the vehicle (See Fig. D, E, F).
- Using a 15mm socket, loosen the factory clamp connecting the muffler to the factory headpipe. (See Fig. G)
- Remove the muffler hangers. Be sure to remove the grounding strap from the factory muffler before removing the muffler from the vehicle. (See Fig. H, I, J) The removal of the factory system is complete.



FIG. A



FIG. B



FIG. C

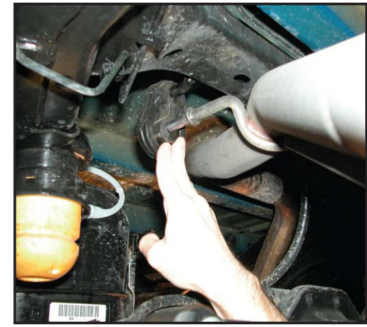


FIG. D



FIG. E



FIG. F

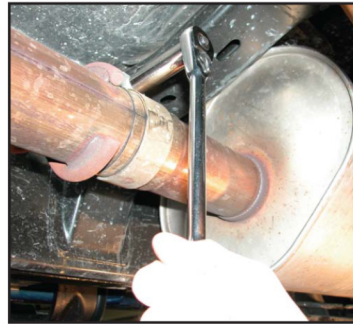


FIG. G



FIG. H



FIG. I



FIG. J

**Proceed to dB Performance Exhaust Installation on page 3.**



# Installation of dB Performance Exhaust System:

**NOTE:** The supplied double edge clamps in this system will crush and permanently deform the exhaust piping as they are tightened. **DO NOT** tighten these clamps any more than is necessary to lightly hold the exhaust components in place, until the very end of this installation process. It will be difficult or impossible to make any positional or rotational adjustments to the exhaust system after these clamps have been tightened down.

**VERY IMPORTANT:** Align all clamps so that the open edge of the clamp bracket is parallel and aligned with the notch in the pipe, and the outside edge of the clamp bracket is approximately 1/8" from the end of the pipe expansion. (See Fig. 1) Failure to properly position or orient the clamps could result in a weak clamping load, or even a potential leak at the clamp joints.

**IMPORTANT:** Make sure that the small drain holes in the muffler are facing down when the muffler is installed. (See Fig. 2)

1. Install the dB Performance muffler. While supporting the rear of the muffler, align the dB Performance muffler to the factory headpipe. The outlet pipes of the muffler should be in line vertically. Loosely tighten the clamp at this time just enough to hold the muffler onto the headpipe. (See Fig. K, L)
2. Slide the front of the axle pipe assembly over the TOP outlet of the muffler. Then slide the hangers into the rubber grommets. Slide a clamp over the inlet expansion of the axle pipe assembly and loosely tighten the clamp at this time (See Fig. M, N, O).
3. Install the driver side tailpipe assembly over the axle and slide the front of the tailpipe over the outlet of the axle pipe. Make sure to check for clearances of all cables & hoses—all cables & hoses should hang between the pipe and the differential/spare tire. Slide the hangers into the rubber grommets. Slide a clamp over the tailpipe inlet expansion and loosely tighten the clamp at this time. (See Fig. P, Q, R, S, T, U).

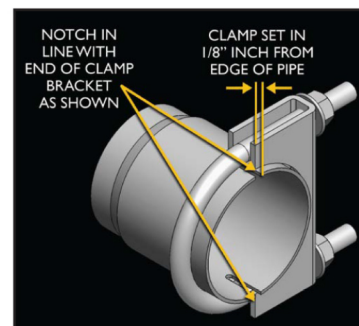


FIG. 1



FIG. 2



FIG. K



FIG. L



FIG. M



FIG. N



FIG. O



FIG. P

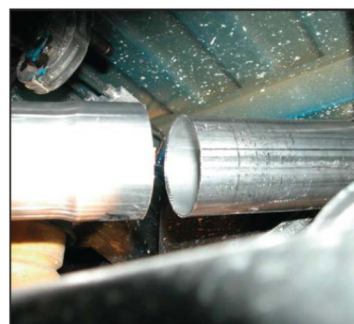


FIG. Q



FIG. R



4. Install the passenger side tailpipe assembly over the axle. Slide the front of the tailpipe over the bottom outlet of the muffler. Slide the hanger into the rubber grommet. Slide a clamp over the inlet expansion of the tailpipe and loosely tighten the clamp at this time. **(See Fig. V, W).**
5. Slide one of the tips over the outlet of the driver side tailpipe. Loosely tighten the clamp at this time. **(See Fig. X).** Repeat on passenger side.
6. At this time, make all necessary adjustments at the clamp joints to align the tips and obtain proper clearances. Check clearance of exhaust system, hangers, frame, cables, hoses, etc. Check tip alignment for depth, height, and tips should be centered in the factory bumper cutouts. **(See Fig. Y).**
7. Starting from the front of the system continuing towards the rear, torque all nuts on supplied clamps to **35 ft-lbs.** Tip clamps: **16-20 ft-lbs.**
8. It is **strongly suggested** that all clamps be checked and tightened if needed after road testing the vehicle once the system has cooled.



FIG. S



FIG. T



FIG. U



FIG. V



FIG. W



FIG. X



FIG. Y

**NOTE:** During cold weather start-ups, you may experience an exhaust sound that is deeper and louder in tone than usual. This is temporary and will diminish to normal levels once your engine has reached its normal operating temperature. **NOTE:** Immediately following the installation of your exhaust system, you may experience a trace of smoke after initial start-up. DO NOT be alarmed. The smoke is caused by the burning of a small amount of forming oil residue used in the manufacturing process.