

05-08 CHEVROLET CORVETTE C6

CORSA[®]
PERFORMANCE



IMPORTANT! WARRANTY AND INSTALLATION INSTRUCTIONS

Please Forward All Information to Consumer

Be sure to review the enclosed instructions prior to beginning the installation process. If you have any questions about the enclosed parts or instructions, or if you encounter a problem during installation:

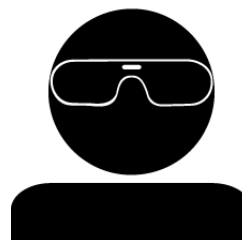
CALL TECHNICAL SUPPORT: 440.891.0999 or 800.486.0999

**TO ACTIVATE YOUR WARRANTY GO TO:
CORSAPERFORMANCE.COM/WARRANTY**

COLOR INSTRUCTIONS ARE AVAILABLE BY PART NUMBER ON: CORSAPERFORMANCE.COM



NEVER work on a hot exhaust system.
Allow time for the vehicle to cool.



**Always wear eye protection
when working under a vehicle.**

INSTALL DIFFICULTY

RECOMMENDED TOOLS & SUPPLIES

- 13 mm Socket
- 18 mm Socket
- 15 mm Open End Wrench (20-100 ft.-lb.)
- Torque Wrench
- 15 mm Socket
- Drive Extensions for Ratchet (min of 17 IN)

ADDITIONAL TOOLS FOR AUTO TRANSMISSION CARS ONLY:

- Large Flat Head Screwdriver
- Needle Nose Pliers
- Rubber Mallet

2005-2008 CHEVROLET CORVETTE C6

Axle-Back Exhaust

Part #: 14169, 14469, 21009, 21010



Please take time to read and understand these installation instructions.

CORSA recommends that the installation of this system be performed by a qualified service center or professional installer who has the necessary equipment, tools, and experienced personnel. However, if you decide to perform this installation yourself, the use of an additional person may be required.

WARNING: Never work on a hot exhaust system. Allow time for the vehicle to cool. Always wear eye protection when working under a vehicle.

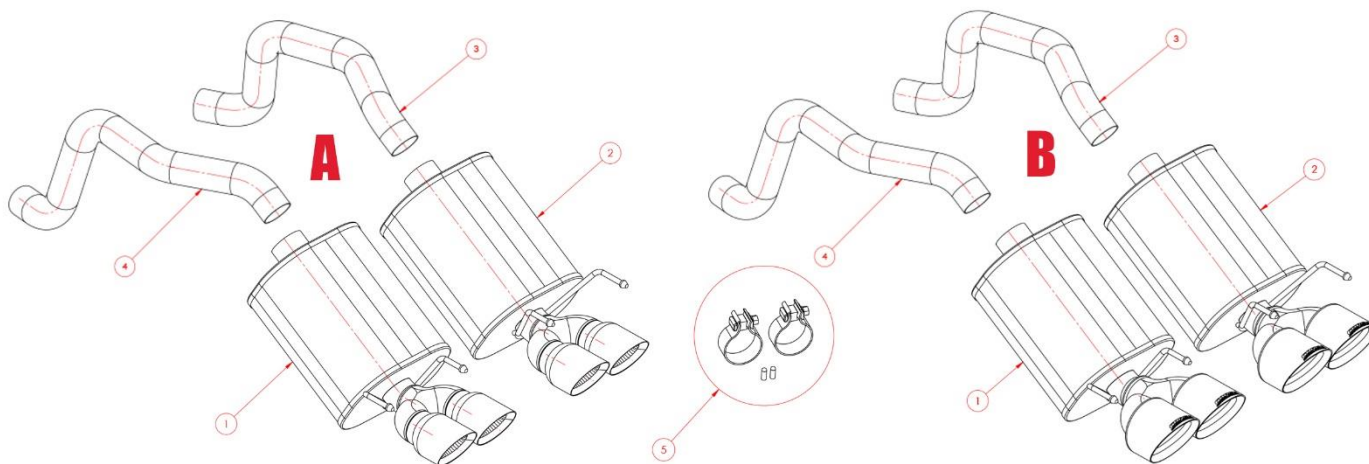
CORSA Performance makes no representation or warranty, expressed or implied that its downpipe or header products and or components there-in comply with federal, state or local emission levels, noise levels, or safety standards or that any of their parts conform with the racing vehicles exemption, unless otherwise noted. The purchaser assumes all responsibility for such use and compliance.

This warranty does not extend to damaged or defect in the finish of a product or to any product, that in the opinion of CORSA Performance, has been misused, damaged by accident or negligence, altered or modified in any way, faulty installation or installed contrary to CORSA installation instructions, or repaired by an unauthorized service facility.

Full warranty available on www.corsaperformance.com

Please confirm that all parts are present according to the bill of materials before beginning the installation.

If something is missing call Tech Support at 440.891.0999 or Toll Free: 1.800.486.0999



BILL OF MATERIALS

1A. Driver Muffler (Part # 14169 Sport w/ 3.5" Tips 16CS2081) (Part # 14469 Xtreme w/ 3.5" Tips 16CS2083)	2A. Passenger Muffler (Part # 14169 Sport w/ 3.5" Tips 16CS2082) (Part # 14469 Xtreme w/ 3.5" Tips 16CS2084)
1B. Driver Muffler (Part # 21009 Sport w/ 4.5" Tips 16CS2085) (Part # 21010 Xtreme w/ 4.5" Tips 16CS2087)	2B. Passenger Muffler (Part # 21009 Sport w/ 4.5" Tips 16CS2086) (Part # 21010 Xtreme w/ 4.5" Tips 16CS2088)
3. Passenger Axle Pipe (16CS4192)	4. Driver Axle Pipe (16CS4193)
5. Hardware Kit (18VP7031)	

CAUTION: Never work on a hot exhaust system. Allow the vehicle to cool for at least an hour and a half. Always wear eye protection when working under a vehicle. It is recommended to use cotton gloves in order to protect stainless steel surfaces from permanent grease and oil stains.

Your C6 must be raised high enough to remove the one-piece stock muffler and over-axle pipe assemblies. A vehicle hoist is strongly recommended for this task.

REMOVAL INSTRUCTIONS

FACTORY EXHAUST



FIG. A



FIG. B



FIG. C



FIG. D



FIG. E



FIG. F

- 1.** Using a 15 mm socket or wrench, remove the four front flange nuts (**See Fig. A**).
- 2.** Using a 13 mm socket or wrench, remove the H-Pipe hanger nuts (**See Fig. B**).
- 3.** Using a 15 mm socket or wrench, loosen the clamps connecting the H-Pipe to the Rear Muffler Assembly (**See Fig. C**).
- 4.** Slide the flanges off the bolts (**See Fig. D**).
- 5.** Remove the H-Pipe assembly.
- 6.** Using an 18 mm socket and a 15 mm open end wrench, remove the rear stabilizer bar mounting nuts (**See Fig. E**). Both sides.
- 7.** Use an 18 mm socket to remove the upper stabilizer bar mounting bolts (**See Fig. F**).
- 8.** Swing the stabilizer bar down, away from the rear cradle.

Continued on Next Page ...

REMOVAL INSTRUCTIONS

FACTORY EXHAUST



FIG. G



FIG. H



- 9. 2005 Automatic Transmission ONLY:** On the Passenger side, cut tailpipe 3-4" after H-Pipe joint **(See Fig. G)**.
- 10.** Slide the rear muffler hangers out of the rubber isolators, using soapy water to aid in removal if needed. **(See Fig. H)**.
- 11.** Carefully slide the Driver side muffler out of the vehicle.
- 12.** Carefully slide the Passenger side muffler out of the vehicle **(See Fig. I)**.
- 13.** Reinstall the stabilizer bar using the factory nuts and bolts. Tighten the bolts and nuts to factory specifications.
- 14.** Slide axle pipes into factory H-Pipe BEFORE placing front flanges over studs.

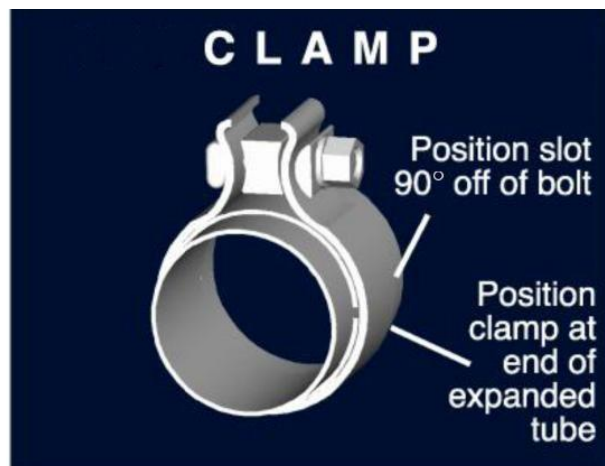
Step 14 concludes the removal of the factory exhaust.

WARNING! DO NOT SKIP THIS STEP!

Apply the anti-seize lubricant (*supplied*) to the threads **ONLY** of all the clamps and flange bolts. Failure to follow this procedure can cause nuts to seize on clamps and potentially destroy threads.

After applying anti-seize lubricant, be sure to **thoroughly** clean your hands, as lubricant will tarnish stainless steel.

All clamps should be tightened using a properly calibrated Torque Wrench. Using an air impact gun will damage the clamp and reduce its ability to effectively seal the joint. It may also cause the joint to separate, thereby causing damage to your exhaust system and to your vehicle.



NOTE: Align all clamps so that the center of the clamp bolt is 90 degrees from the notch in the pipe.

INSTALLATION INSTRUCTIONS

CORSA EXHAUST



FIG. L



FIG. M



FIG. N

Remove all exhaust system components from the shipping carton, including clamps. **NOTE:** There are two 2.5-inch clamps supplied.

1. Locate the Driver side and Passenger side axle pipes (See Fig. L & M).
2. Slide both Driver and Passenger axle pipes into position from the rear (See Fig. N).

Continued on Next Page . . .

INSTALLATION INSTRUCTIONS

CORSA EXHAUST



FIG. O



FIG. AB



FIG. Y



FIG. W

3. Insert the axle pipes into the H-Pipe outlets and snug fit the clamps (See Fig. O). **Note: If using the factory H-Pipe, axle pipe will not bottom-out in the expansion. This is as designed.**
4. Before installing the rear mufflers, cap both vacuum lines in the rear bumper with the supplied rubber caps. If your vehicle is not equipped with a bimodal exhaust, you can dispose of these caps.
5. Locate the Passenger side muffer. Slide one Torca clamp onto muffer inlet (See Fig. AB).
6. Slide the muffer hanger into the factory rubber isolators (See Fig. Y).
7. Carefully align the muffer inlet to the axle pipe.
8. Slide the axle pipe into the muffer inlet expansion and snug fit the Torca clamp using the 17-inch extensions and a 15 mm socket (See Fig. W). **NOTE: All the muffer clamps should point towards the center of the vehicle when installed.**
9. Repeat steps 5 to 8 above for the Driver side muffer.
10. Adjust the entire system as necessary to achieve the desired tips location and clearance to all driveline components.
11. Starting from the front of the vehicle, tighten all Torca clamps to **45 ft.-lb.**
12. It is **STRONGLY SUGGESTED** that all clamps and fasteners be checked and re-tightened (if necessary) after a road test. Make sure the system has cooled prior to touching any exhaust components.

NOTE: During cold weather start-ups, you may experience an exhaust sound that is deeper and louder in tone than usual. This is temporary and will diminish to normal levels once your engine has reached its normal operating temperature.

NOTE: Immediately following the installation of your exhaust system, you may experience a trace of smoke after initial start-up. DO NOT be alarmed. The smoke is caused by the burning of a small amount of forming oil residue used in the manufacturing process.

NOTE: It is strongly suggested that all clamps be checked and tightened after road testing the vehicle once the system has cooled.