

advanced FLOW engineering

Cold Air Intake System

Instruction Manual P/N: 56-10015D / 56-10015R

Make: **BMW**

Model: **Z4 M40i (G29)**

Year: **2020-2022**

Engine: **L6-3.0L (t) B58**

Make: **Toyota**

Model: **Supra (A90)**

Year: **2020-2022**

Engine: **L6-3.0L (t) B58**



- Please read the entire instruction manual before proceeding.
- Ensure all components listed are present.
- For technical support please call at 951-493-7185.
- Ensure you have all necessary tools before proceeding.
- Do not attempt to work on your vehicle when the engine is hot.
- Retain factory parts for future use.

Label	Qty.	Description	Part Number
A1	1	Air Filter (Pro DRY S) for 56-10015D	24-90201D
A2	1	Air Filter (Pro 5R) for 56-10015R	24-90201R
B	1	Tube	05-5670015B1
C	1	Housing	05-5610015B2
D	1	Coupling, Silicone Bellows: 3.1"ID x 3"L	05-01525
E	2	Clamp, #048	03-50007
F	2	Screw, M4	03-50490
G	1	Seal, Trim: 13/32" Dbl. Bulb, 34" Length	05-01534
H	1	Fitting, Aluminum: 1/4-NPT	03-50644

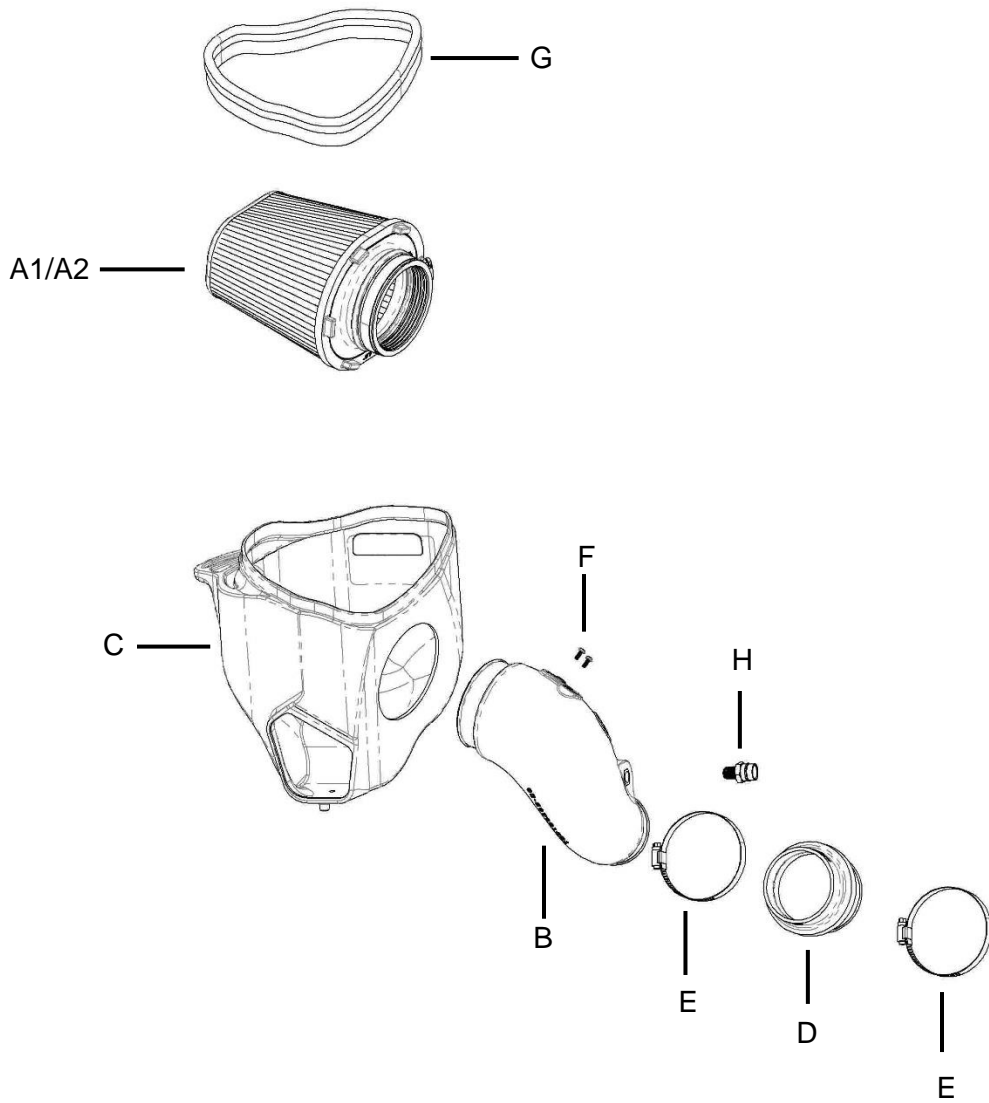
Installation will require the following tools:

6mm, 8mm, 13mm, and 15mm nut drivers or sockets, socket wrench, flat-head screwdriver, T20 torx bit, and panel popper.

Warranty information available at <https://afepower.com/contact#warranty>.

Emissions Disclaimer:

This product is not currently CARB exempt and is not available for purchase in California or for use on any vehicle registered with the California Department of Motor Vehicles.





Refer to Figure A for Steps 1-4

Step 1: If the vehicle is equipped with a brace above the factory intake, use the 13mm and 15mm socket and wrench to remove the brace.

Step 2: Disconnect the Intake Air Temperature (IAT) sensor harness.

Step 3: Using a 6mm nut driver, loosen the hose clamp at the factory airbox. Then, slide the factory intake tube away from the factory airbox.

Step 4: To remove the factory airbox, carefully and firmly pull up on the factory airbox.

REMOVAL

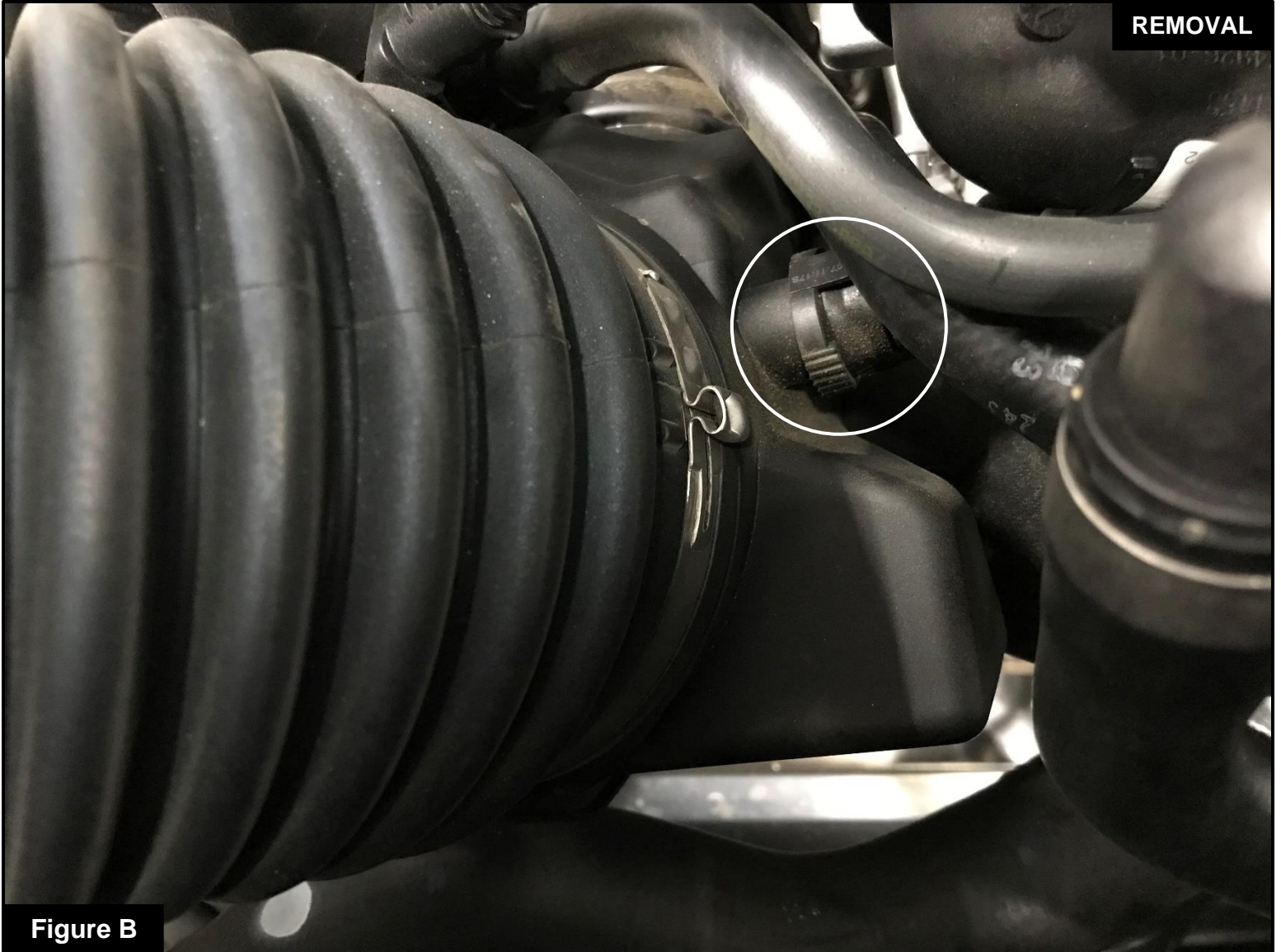
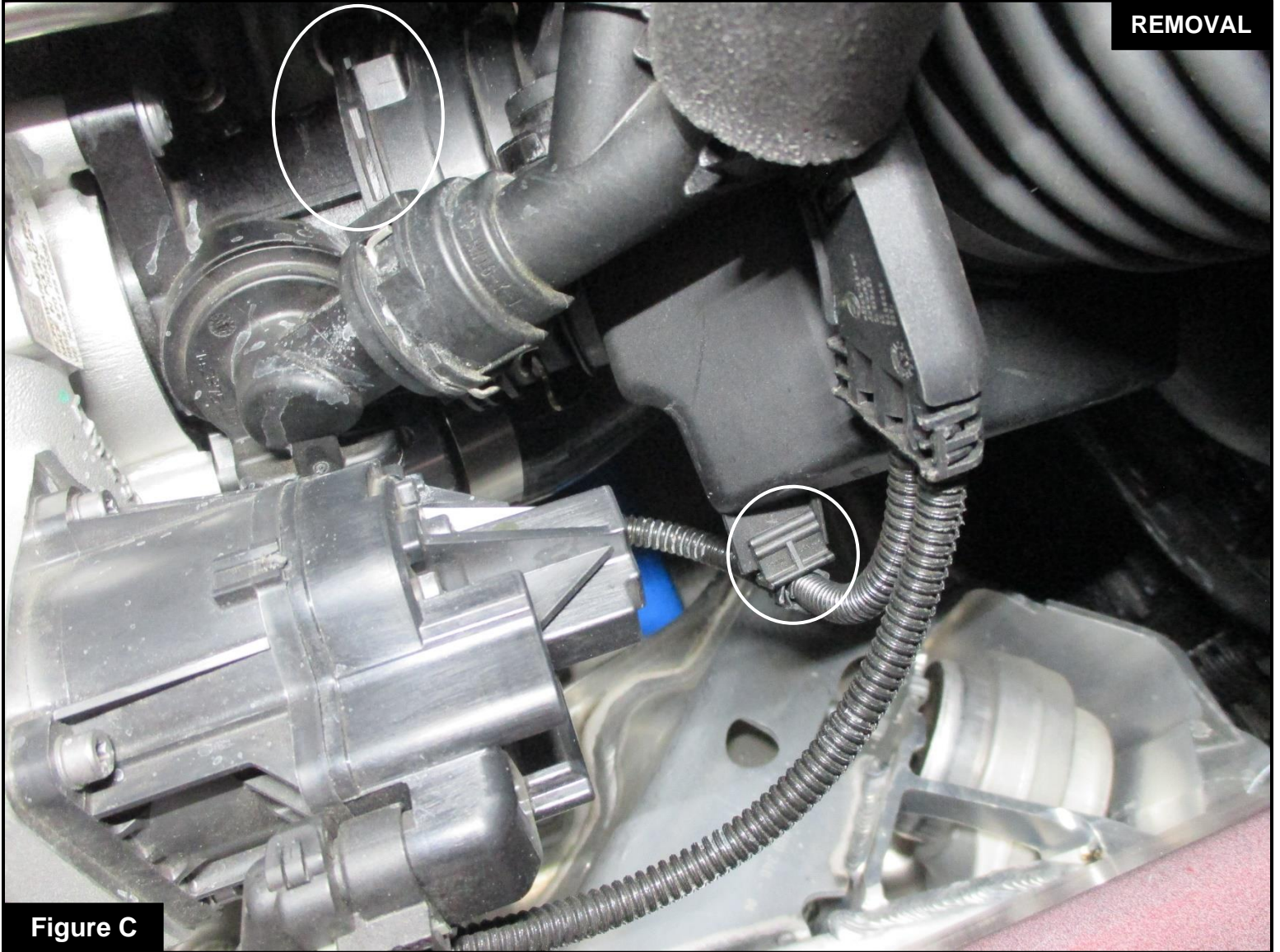


Figure B

Refer to Figure B for Step 5

Step 5: Disconnect the crankcase breather line.

**Figure C****Refer to Figure C for Steps 6-7**

Step 6: Next, detach the harness clip from the factory intake tube.

Step 7: Finally, carefully remove the retention ring holding the factory intake tube to the turbo inlet and pull the factory intake tube out of the vehicle.

**Figure D****Refer to Figure D for Steps 8-9**

Step 8: Transfer the IAT sensor from the factory airbox to the Takeda intake tube and attach with the supplied screws.

Step 9: Install the supplied NPT fitting into the Takeda intake tube.

NOTE: This is an NPT fitting. The small gap between the tube and hex is normal.

**Figure E****Refer to Figure E for Steps 10-12**

Step 10: Install the supplied air filter into the Takeda housing. Place the air filter into the large opening at the top, then slip the air filter flange into the round opening on the Takeda housing, making sure the air filter's lip locks into place. Rotate the air filter to have clearance around the inside of the Takeda housing.

Step 11: Place the clamp over the flange of the air filter. Do not tighten the clamp at this time.

Step 12: Install the supplied trim seal on the top edge of the Takeda housing.

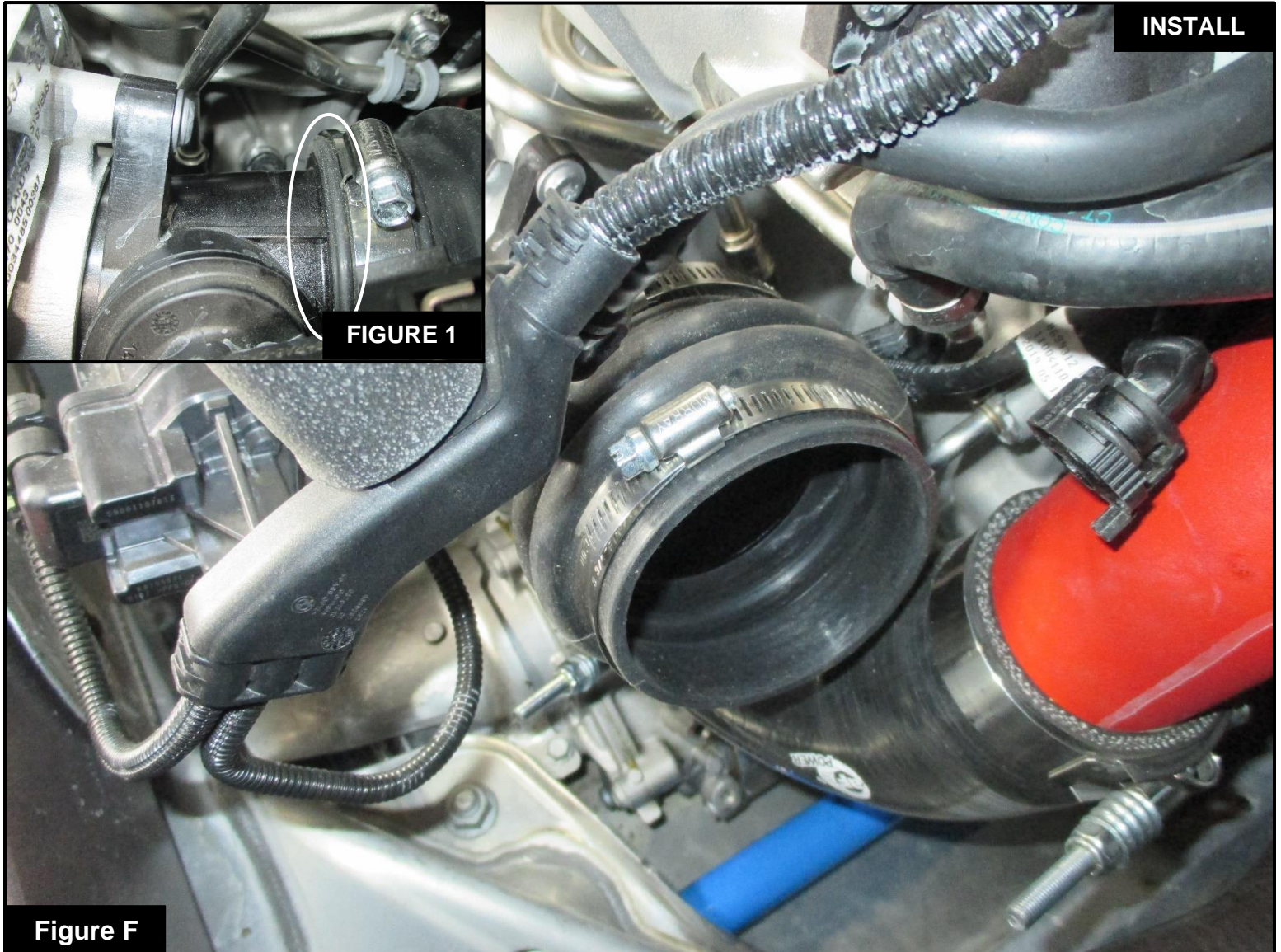


FIGURE 1

Figure F

Refer to Figure F for Steps 13-15

Step 13: Install the supplied coupling onto the turbo inlet and place the supplied clamps onto the coupling.

Step 14: Make sure to have the end of the coupling sit flush to the rim of the turbo inlet. This is to make sure the interior lip of the coupling sits correctly in the groove of the turbo inlet. See Figure 1.

Step 15: When the coupling sits correctly on the turbo inlet, tighten the clamp between the coupling and the turbo inlet.

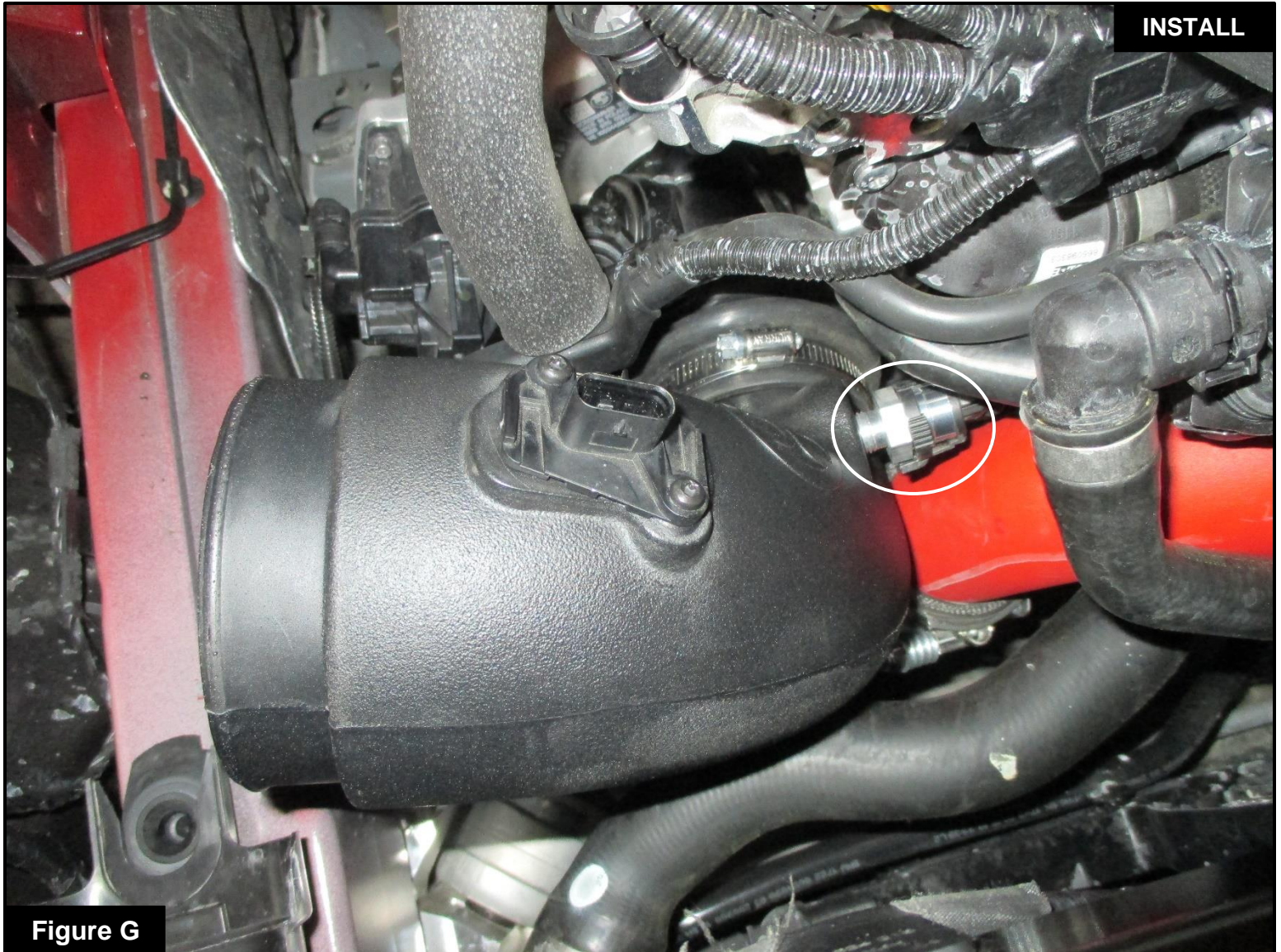


Figure G

Refer to Figure G for Steps 16-18

Step 16: Install the Takeda intake tube into the coupling. Do not tighten the clamp at this time.

Step 17: Connect the crankcase breather line to the Takeda intake tube.

Step 18: Make sure the Takeda intake tube and crackcase line sit comfortably, then tighten the clamp between the Takeda intake tube and the coupling.

**Figure H****Refer to Figure H for Steps 19-23**

Step 19: Install the assembled Takeda housing and air filter into the engine bay by pressing down firmly into the three (3) factory mounting grommets.

Step 20: Slip the Takeda tube into the air filter and tighten the clamp between the Takeda tube and air filter.

Step 21: Connect the temperature sensor to the sensor harness.

Step 22: If the vehicle is equipped with a brace, re-install the brace from **Step 1**.

Step 23: Make sure all components and connections are secure. Your installation is now complete. Thank you for choosing Takeda!

NOTE: Check all bolts, clamps, and connectors after 100-200 miles.



advanced FLOW engineering, inc.

252 Granite Street Corona, CA 92879

<https://afepower.com/contact>