

**GT**  
**MOMENTUM**

**advanced FLOW engineering** Momentum GT Cold Air Intake System

**Instruction Manual** P/N: 50-70067D / 50-70067R

Make: <b>BMW</b>	Model: <b>530i (G30)</b>	Year: <b>2017-2021</b>	Engine: <b>L4-2.0L (t) B46/B48</b>
Make: <b>BMW</b>	Model: <b>530i xDrive (G30)</b>	Year: <b>2017-2021</b>	Engine: <b>L4-2.0L (t) B46/B48</b>
Make: <b>BMW</b>	Model: <b>X3 (G01)</b>	Year: <b>2018-2021</b>	Engine: <b>L4-2.0L (t) B46/B48</b>
Make: <b>BMW</b>	Model: <b>X4 (G02)</b>	Year: <b>2019-2021</b>	Engine: <b>L4-2.0L (t) B46/B48</b>



- Please read the entire instruction manual before proceeding.
- Ensure all components listed are present.
- If you are missing any of the components, call customer support at 951-493-7185.
- Ensure you have all necessary tools before proceeding.
- Do not attempt to work on your vehicle when the engine is hot.
- Retain factory parts for future use.

Label	Qty.	Description	Part Number
A1	1	Air Filter (Pro DRY S)	21-91113
A2	1	Air Filter (Pro 5R)	24-91113
B	1	Tube	05-5070067B1
C	1	Housing	05-5070067B2
D	1	Coupling, Silicone Bellow	05-01557
E	2	Clamp, #044	03-50019
F	1	Fitting, Aluminum: ¼-NPT	03-50644
G	1	Fitting, Aluminum (CCV)	05-01559
H	1	Grommet	03-50139
I	1	Auxiliary Plug	05-01482
J	2	Screw, M4	03-50490

**Installation will require the following tools:**

6mm and 8mm nut drivers or sockets, 13mm socket, socket wrench, two (2) flat-head screwdriver or two (2) picks, T20 torx bit, and panel popper.

Warranty information available at <https://afepower.com/contact#warranty>.

**Emissions Disclaimer:**

This product is not currently CARB exempt and is not available for purchase in California or for use on any vehicle registered with the California Department of Motor Vehicles.

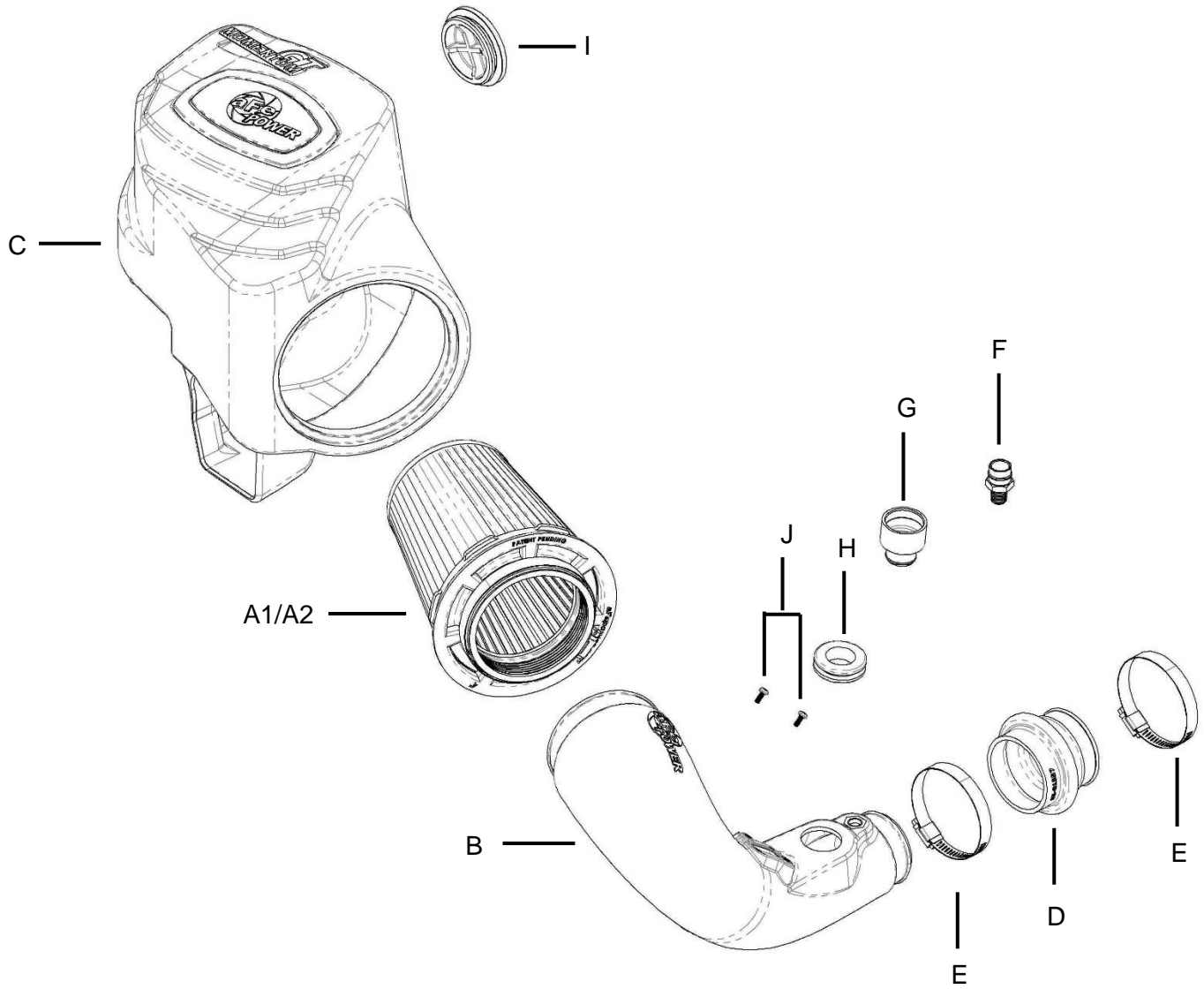




Figure A

**Refer to Figure A for Step 1**

Step 1: If the vehicle is equipped with a brace above the factory intake, remove the brace.

**NOTE: This aFe POWER intake is design to fit with and without the factory brace.**

**Figure B**

## **Refer to Figure B for Steps 2-5**

Step 2: Gently disconnect the mass air flow (MAF) sensor harness.

Step 3: Detach the MAF harness hook from the factory resonator.

Step 4: Using a 6mm nut driver, loosen the hose clamps at the factory airbox and resonator. Then, slide the factory airbox and resonator away from the factory intake tube.

Step 5: To remove the factory airbox, carefully pull up on the factory airbox and resonator together.

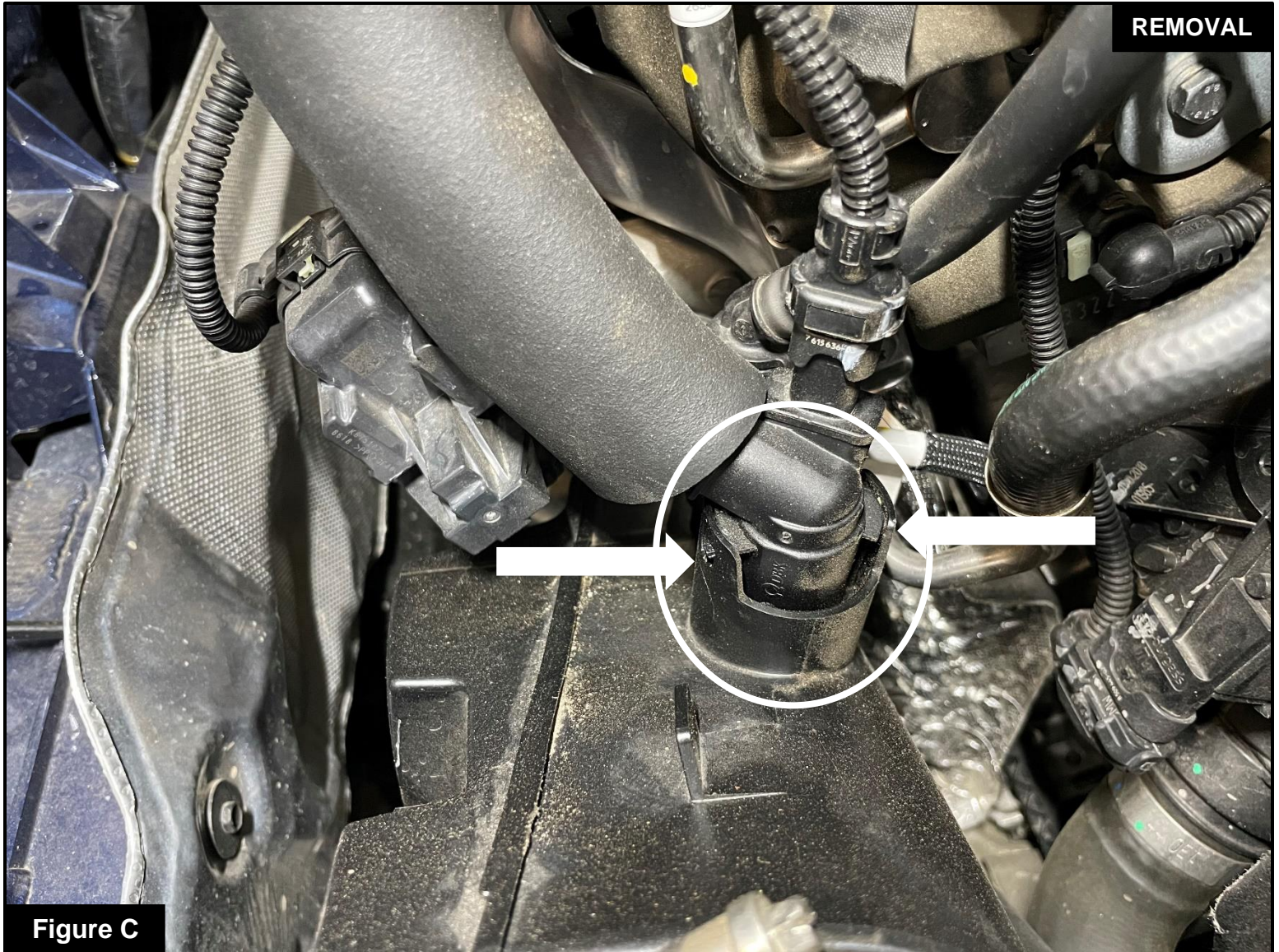


Figure C

**Refer to Figure C for Step 6**

Step 6: Disconnect the larger crankcase vent (CCV) hose from the factory intake tube. Using two (2) small flathead screwdrivers or picks, press the two opposite facing tabs in and carefully lift the fitting from its port.

REMOVAL

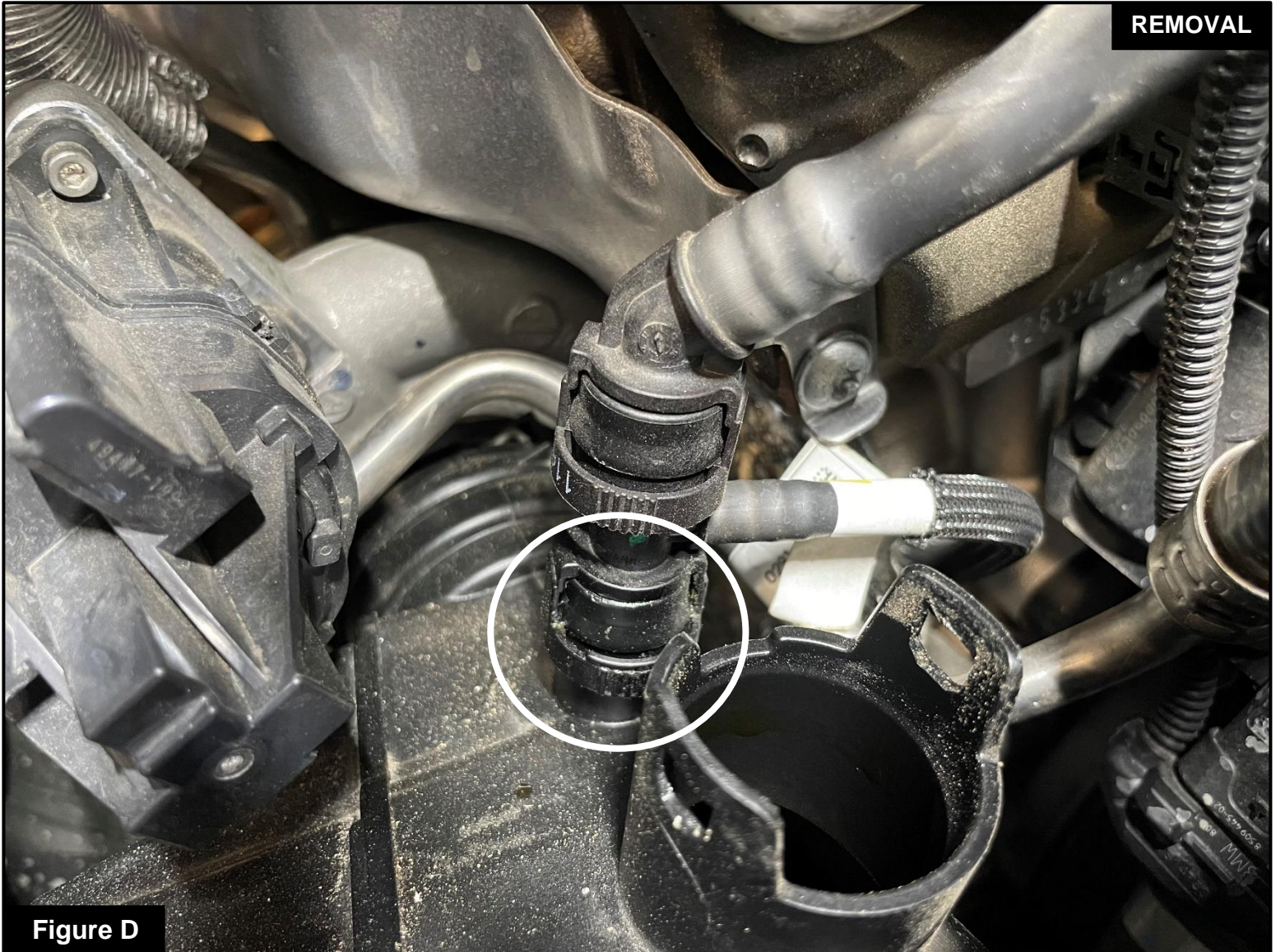
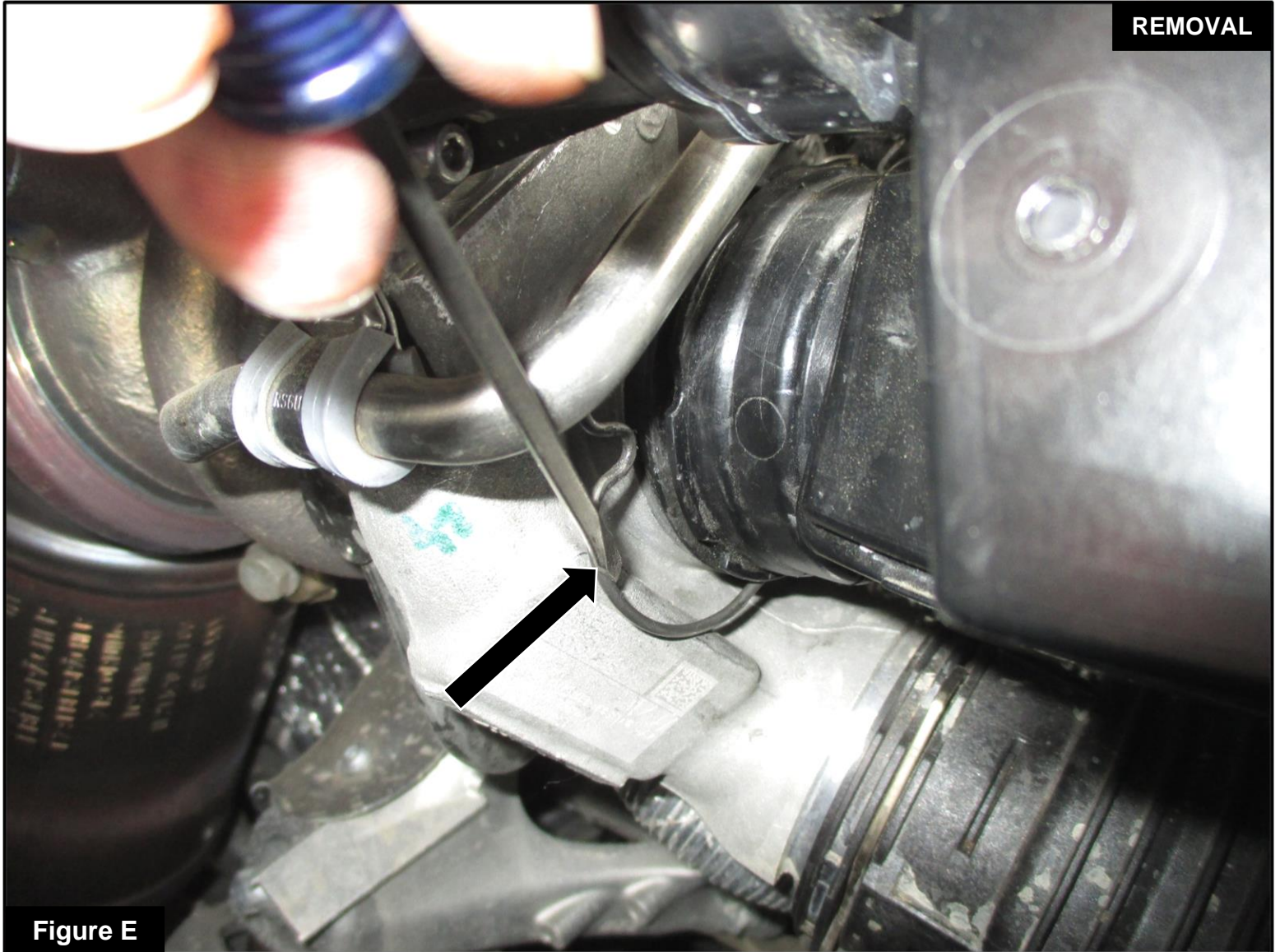


Figure D

**Refer to Figure D for Step 7**

Step 7: Disconnect the bottom half of the smaller CCV line from the factory intake tube. Do not disconnect the top half of the CCV line.

**Figure E****Refer to Figure E for Step 8**

Step 8: Remove the retention clip securing the factory intake tube to the turbo, then carefully pull the factory intake tube from the vehicle.





Figure F

**Refer to Figure F for Step 9-11**

Step 9: Transfer the MAF sensor from the factory airbox to the aFe POWER intake tube and secure it with the supplied screws.

Step 10: Install the smaller CCV fitting into the NPT insert on the aFe POWER intake tube.

**NOTE: This is an NPT fitting. The small gap between the tube and hex is normal.**

Step 11: Install the larger CCV fitting by inserting the supplied grommet first, then the fitting into the aFe POWER intake tube.

**Figure G****Refer to Figure G for Step 12**

Step 12: Install the air filter into the aFe POWER housing by firmly pushing into the housing until the air filter tabs lock into place. Install the clamp over the air filter flange, but do not tighten at this time.

**Figure H**

### **Refer to Figure H for Step 13**

Step 13: This kit includes an optional plug to close off the rear auxiliary air inlet. Install the plug if you wish to close it off, to only capture cold air from the front.

**NOTE:** Without the plug installed, the aFe **POWER** intake will capture the maximum air available. More airflow offers more power. Some of this air is picked up from inside the engine compartment and could be warmer air. Warmer air will affect the performance of the vehicle.

The plug installed on the housing will block off any hot engine air entering the housing to make sure the coolest air available is directed into the engine. The plug will also reduce the noise of the intake.

**Figure I****Refer to Figure I for Steps 14-16**

Step 14: Install the supplied coupling onto the turbo inlet and place the supplied clamps onto the coupling.

Step 15: Make sure to have the end of the coupling sit flush to the rim of the turbo inlet. This is to make sure the interior bead of the coupling sits correctly in the groove of the turbo inlet.

Step 16: When the coupling sits comfortably on the turbo inlet, tighten the clamp sitting over the coupling and the turbo inlet. Do not tighten the clamp at the open end of the coupling.

**Figure J****Refer to Figure J for Steps 17-19**

Step 17: Install the aFe POWER intake tube into the coupling. Do not tighten the clamp at this time.

Step 18: Connect both CCV fittings on the aFe POWER intake tube to the factory lines.

**NOTE: Do not remove the factory O-rings. These will provide air seals to the fittings.**

Step 19: Connect the MAF sensor to the sensor harness.

**Figure K**

### **Refer to Figure K for Steps 20-24**

Step 20: Install the assembled aFe POWER housing and air filter into the engine bay by pressing down firmly into the three (3) factory mounting grommets.

Step 21: Slip the aFe POWER intake tube into the air filter and tighten the clamp.

Step 22: Tighten the clamp between the aFe POWER intake tube and the coupling.

Step 23: If the vehicle is equipped with a brace, re-install the brace from **Step 1**.

Step 24: Make sure all components and connections are secure. Your installation is now complete. Thank you for choosing aFe POWER!



**Page left blank intentionally.**



***advanced FLOW engineering, inc.***

252 Granite Street Corona, CA 92879

<https://afepower.com/contact>

9/20/2021 JTP