



AEROMOTIVE
Part # 24306
Small Block Chevy Water Pump
INSTALLATION INSTRUCTIONS

This product is not legal for sale or use on emission-controlled vehicles except when used as a direct replacement part matching OEM specification.

WARNING!



Always be aware of flammable situations. Drilling and grinding can be potential ignition sources. Extinguish all open flames, prohibit smoking, and eliminate all sources of ignition in the area of the vehicle and workspace before proceeding with the installation. Ensure you are working in a well-ventilated area with an approved fire extinguisher nearby.

WARNING!



Mechanical and hydraulic lifting devices can tip over or lower accidentally due to incorrect maneuvering or technical errors. A falling object can cause injury and/or loss of life to yourself and/or others. When working under the vehicle, always use stands, and ensure that the ground or floor is stable and level. Never crawl under a vehicle which is only supported by a jack.

WARNING!



The coolant system is under pressure. Do not open the coolant system until the pressure has been relieved. Refer to the appropriate vehicle service manual for the procedure and precautions for relieving the coolant system pressure.

CAUTION!



When installing this product always wear safety glasses and other appropriate safety apparel. A drilling operation will cause flying metal chips. Flying metal chips can cause eye injury.

Parts Included:

2ea Pump to Block gaskets	4ea 3/8-16 x 1 1/4" 18-8SS SHCS
1ea Water pump assembly	4ea Flat washers, SS
1ea AN-20 ORB x 1 3/4" slip inlet fitting	

Recommended Tools / Supplies Needed:

Scraper or wire brush	Thread sealant
Brake cleaner	5/16" hex key
Gasket sealant (Form-A-Gasket)	Silicone lubricant (such as Parker's Super O-Lube)

Installation:

The following steps are typical of most installations:

1. Once the engine has been allowed to cool, relieve the coolant system of pressure, and disconnect the negative battery cable.
2. Remove the stock water pump. Clean and de-grease the mounting areas.
3. Coat both sides of the new gaskets with gasket sealant.
4. Attach the pump. ***Note – Ensure all screws are snug before torquing to 25 ft-lbs.**
5. Connect the pump using rubber hoses for barbed connection or braided hoses with AN fittings. Some available adapter fitting part numbers to connect the pump are listed following:

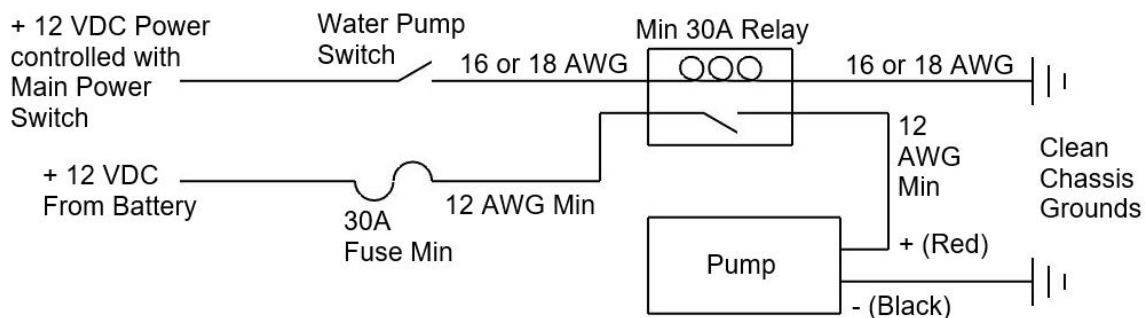
15769 AN-20 ORB to 1 3/4 in Slip Hose
15774 AN-20 ORB to AN-20 Flare

15770 AN-20 ORB to 1 1/2 in Slip Hose
15775 AN-20 ORB to AN-16 Flare

Note: The pump is fitted with a 1 3/4" inlet fitting to match the factory inlet. If the included inlet fitting is removed, use ONLY silicone lubricant when reinstalling. If the fitting is replaced with a different size, use ONLY silicone lubricant with the new fitting o-ring.

Note: Be sure to route all electrical wires clear of any moving suspension or drivetrain components and any exhaust components! Protect wires from abrasion and road obstructions or debris.

6. Make sure you use stranded, insulated copper wire, in the sizes shown, with matching crimp-type connectors for all connections. Attach wires as shown in the following diagram.



7. Fill the cooling system and replace the fill cap.
8. Reconnect the negative battery cable. Turn the ignition (and water pump switch as applicable) to ON **without starting the engine** to ensure the pump has been wired correctly and is running.

Note: DO NOT run the pump dry for more than a few seconds to avoid damaging the seal.

9. If the pump will not flow, it may not be primed. Ensure that the pump has been filled completely with water.

Note: The pump has been checked at the factory before shipping to ensure it runs in the correct direction (clockwise looking “down” at top of the motor). However, the pump will function with the wires reversed, though less efficiently. If incorrect rotation is suspected, this can be confirmed by looking (**CAREFULLY!**) through the inlet at the impeller as it is allowed to come to a stop.

10. After running the pump for a few seconds, turn it off and top off the coolant. Replace the fill cap again.

Contact Us

RGA NUMBER REQUIRED FOR ALL RETURNS TO AEROMOTIVE.

To obtain an RGA number, please call (913) 647-7300 and ask for the Returns and Repairs department or complete the online form under the "Rebuilds" section at www.aeromotiveinc.com.

- **Shipping & Returns**
Aeromotive Inc.
10955 Mill Creek Road
Lenexa, KS 66219

General Inquiries and Tech Line: (913) 647-7300

General Email: info@aeromotiveinc.com

Tech Email: tech@aeromotiveinc.com

The Aeromotive Tech Lines are open Monday through Friday from 9:30AM to 5:00PM Central Standard Time.



WARNING: This product can expose you to chemicals, including chromium, which is known to the State of California to cause cancer or birth defects or other reproductive harm. For more information, visit: www.p65Warnings.ca.gov

AEROMOTIVE, INC. LIMITED WARRANTY

This Aeromotive Product, with proof of purchase dated on or after January 1, 2003, is warranted to be free from defects in materials and workmanship for a period of one year from the original date of purchase. No warranty claim will be valid without authentic, dated proof of purchase.

This warranty is to the original retail purchaser and none other and is available directly from Aeromotive and not through any point of distribution or purchase.

If a defect is suspected, the retail purchaser must contact Aeromotive directly to discuss the problem, possible solutions and obtain a Return Goods Authorization (RGA), if deemed necessary by the company. Please call 913-647-7300 and dial option 3 for the technical service dept. All returns must be shipped freight pre-paid to the company and with valid RGA before they will be processed.

Aeromotive will examine any product returned with the proper authorization to determine if the failure resulted from a defect or from abuse, improper installation, misapplication or alteration. Aeromotive will then, at it's sole discretion, return, repair or replace the product.

If any Aeromotive product is determined defective, buyer's exclusive remedy is limited in value to the sale price of the good. In no event shall Aeromotive be liable for incidental or consequential damages.

Aeromotive expressly retains the right to make changes and improvements in any product it manufactures and sells at any time. These changes and improvements may be made without notice at any time and without any obligation to change the catalogs or printed materials.

Aeromotive expressly retains the right to discontinue at any time and without notice any Aeromotive product that it manufactures or sells.

This warranty is limited and expressly limits any implied warranty to one year from the date of the original retail purchase on all Aeromotive products.

No person, party or corporate entity other than Aeromotive shall have the right to: determine whether or not this Limited Warranty is applicable to any Aeromotive product, authorize any action whatsoever under the terms and conditions of this Limited Warranty, assume any obligation or liability of any nature whatsoever on behalf of Aeromotive under the terms and conditions of this Limited Warranty.

This Limited Warranty covers only the product itself and not the cost of installation or removal.

This Limited Warranty is in lieu of and expressly excludes any and all other warranties, expressed or implied. This Limited Warranty gives you specific legal rights, and you may also have other rights which vary from state to state.