



AEROMOTIVE

Part # 18704

Phantom Fuel Pump / Fuel Siphon / Baffle System For Tank Depths 6"-11"

INSTALLATION INSTRUCTIONS

This product is not legal for sale or use on emission-controlled vehicles except when used as a direct replacement part matching OEM specification.

WARNING!



Always be aware of flammable situations. Drilling and grinding can be potential ignition sources. Extinguish all open flames, prohibit smoking and eliminate all sources of ignition in the area of the vehicle and workspace before proceeding with the installation. Ensure you are working in a well ventilated area with an approved fire extinguisher nearby.

WARNING!



etc.

Installation of this product requires modification to a fuel tank/ the fuel system, failure to satisfy all safety considerations will result in fire, explosion, injury and/or loss of life to yourself and/or others. All fuel system components **MUST** be located as far from heat sources as possible, like exhaust, engine block,

WARNING!



Mechanical and hydraulic lifting devices can tip over or lower accidentally due to incorrect maneuvering or technical errors. A falling object can cause injury and/or loss of life to yourself and/or others. When working under the vehicle, always use stands, and ensure that the ground or floor is stable and level. Never crawl under a vehicle which is only supported by a jack.

WARNING!



The fuel system is under pressure. Do not open the fuel system until the pressure has been relieved. Refer to the appropriate vehicle service manual for the procedure and precautions for relieving the fuel system pressure.

CAUTION!



When installing this product always wear safety glasses and other appropriate safety apparel. A drilling operation will cause flying metal chips. Flying metal chips can cause eye injury.

CAUTION:



Installation of this product requires detailed knowledge of automotive systems and repair procedures. We recommend that this installation be carried out by a qualified automotive technician. Careless installation of this product can result in damage to the product, injury or loss of life to yourself and/or others.

Compatible Fuels:

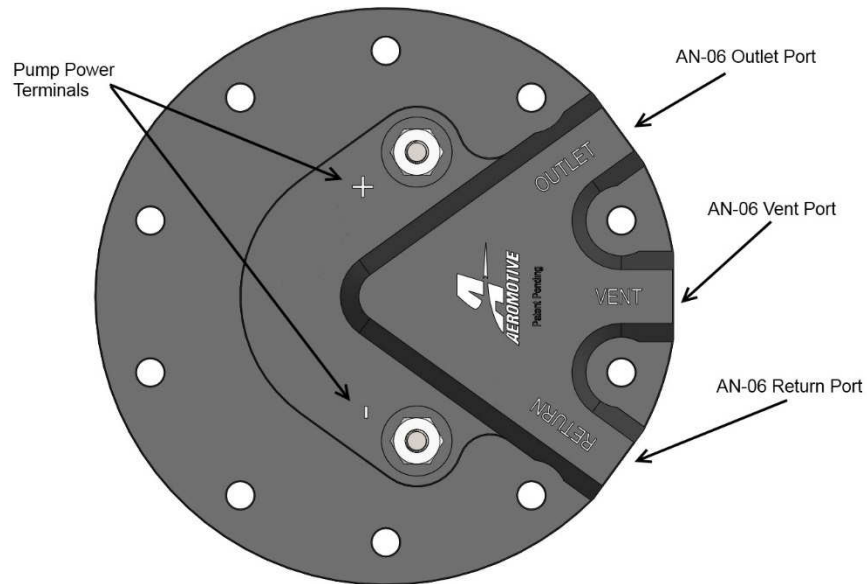
Pump Gas
Race Gas
E85
Alcohol/Ethanol

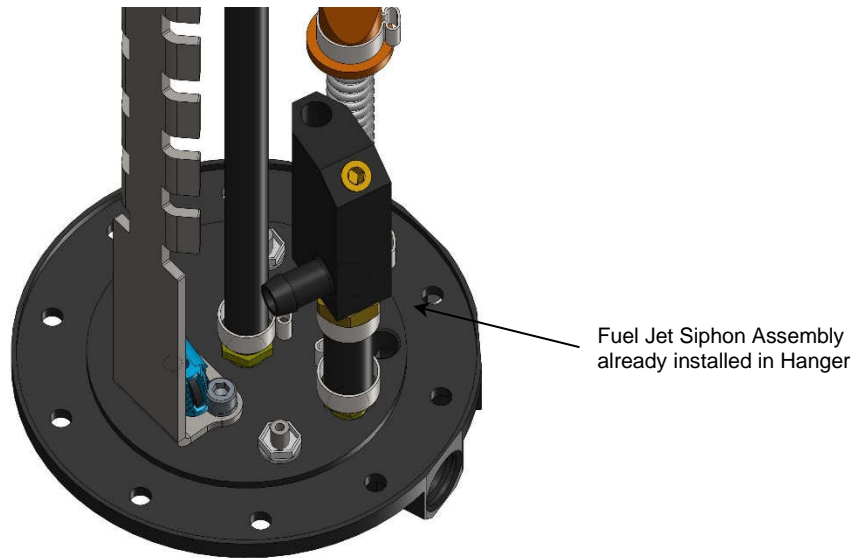
Parts Included:

1ea Fuel Pump	1ea #2 Drill (.221 dia.)
1ea Fuel Pump Strainer	2ea Ring Terminal
1ea Fuel Pump Hanger Assembly	2ea Ring Terminal Cap
1ea Fuel Pump Foam Baffle Assembly	2ea Hose Clamp
1ea Fuel Jet Siphon Assembly	2ea Pump Clamp
1ea Fuel Siphon Pickup Assembly	10ea 10-24 Nylon Locking Stainless Steel Nut
1ea Anti Kink Spring	10ea #10 Nylon Washer
1ea Gasket, 1/2" Thick	2ea 10-24 x 2-1/2" Machine Screw
1ea Retainer C-Ring with studs	30in 1" Wide x 1/2" thick Foam Spacer
1ea Installation Ring	1ea Additional mounting magnet

Parts Included:

3-1/4" Metal Cutting Hole Saw	Tape Measure
Drill	Bread Knife or
Straight Slot (flat-blade) Screwdriver	Hacksaw blade
3/8" Socket and Ratchet	Scissor





The enclosed Aeromotive fuel pump assembly utilizes an o-ring sealed AN-06 style feed, return and vent ports. These ports seal with o-rings; these ports are **NOT PIPE THREAD** and utilize **NO THREAD SEALANT**.

The included fuel jet siphon is intended for **EFI applications only**. The jet siphon may be unable to sustain a siphoning flow at carbureted fuel pressures.

The fuel pump used in this tank is the Aeromotive Stealth 340 (part # 11542). To ensure proper pump function and life, we strongly recommend the following:

- Utilize AN-06 (EFI) size high pressure fuel lines, fittings and o-rings for all connections from the fuel tank to the engine, including the supply and return lines.
- Install a 10 micron post-filter (Aeromotive p/n 12301 or 12321).
- Install a remote-mount rollover valve. It must be mounted in a vertical position and mounted as high or higher than your filler tube.
- Fuel pump wiring should be 10 gauge wire and triggered with a relay rated for a minimum of 20 amps (Aeromotive standard fuel pump wiring kit P/N 16301 or the Deluxe HD wiring kit P/N 16307).
- A return style or bypass regulator must be used (Aeromotive p/n 13105, 13109 or 13129 for EFI) with the exception of applications running an ECU that supports a returnless systems where the ECU controls fuel pressure via PWM.

Failure to follow the above recommendations may result in fuel leakage, bursting of the fuel lines, poor vehicle performance and/or decreased fuel pump life! Improper installation will void all warranties for this product!

Pump Specifications:

	18704 Kit (Pump #11542)
Outlet pressure/typical flow:	40 psi / 291 LPH @ 13.5 V 60 psi / 227 LPH @ 13.5 V
Continuous Operating Range:	30 psi – 65 psi @ 13.5 V
Pump internal By-Pass Pressure:	105 psi
Current Draw:	13 amps @ 40 psi

Aeromotive Commonly Used Fittings

- | | |
|--|----------------------|
| 15606 AN-06 ORB to AN-06 Flare (Inlet/outlet/vent fitting) | For AN-06 fuel lines |
| 15649 AN-06 ORB to AN-08 Flare (Inlet/outlet/vent fitting) | For AN-08 fuel lines |
| 15609 AN-10 ORB to AN-06 Flare (fuel filter fitting) | For AN-06 fuel lines |
| 15610 AN-10 ORB to AN-08 Flare (fuel filter fitting) | For AN-08 fuel lines |

Aeromotive AN-10 Fuel Filter P/N's

12301 Red 10-micron Fuel Filter
12321 Black 10-micron Fuel Filter
12351 Chrome 10-micron Fuel Filter
12335 Red 40-micron Fuel Filter
12305 Fuel Filter Bracket

12304 Red 100-micron Fuel Filter
12324 Black 100-Micron Fuel Filter
12354 Chrome-100 micron Fuel Filter
12331 Black-100 micron Fuel Filter w/ Shutoff Valve

Aeromotive Electrical Components

16301 Standard Fuel Pump Wiring Kit
16307 Deluxe HD Fuel Pump Wiring Kit
16306 Fuel Pump Speed Controller

Aeromotive system components are not legal for sale or use on emission controlled motor vehicles.

The following steps are typical of most installations:

1. Once the engine has been allowed to cool, disconnect the negative battery cable and relieve the fuel system pressure, referring to the appropriate vehicle service manual for the procedure and precautions for doing so.
2. Raise the vehicle on stable level ground and support it with jack stands.
3. Referring to the appropriate vehicle service manual for instructions, drain, disconnect any electrical and fuel system component connections and remove the OEM fuel tank. The removal of the vehicles exhaust system may be necessary for fuel tank removal.



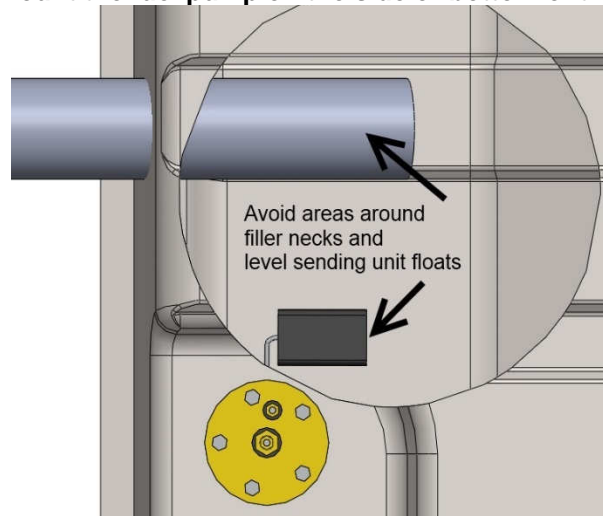
This Aeromotive Phantom Fuel Pump System is intended to be installed into a NEW fuel tank that does NOT, and has NEVER contained fuel. If you choose to install this product into a fuel tank that has had fuel introduced to it, proceed at your own risk.



The fuel tank must be professionally cleaned to remove all traces of any combustible fluids. Failure to properly clean and remove all combustible fluids from the fuel tank will result in injury or loss of life to yourself and/or others.

4. With the new cleaned fuel tank on your preferred work surface, start to determine the desired pump mounting location on top of the fuel tank by identify mounting areas to avoid. Avoid areas of the tank where fuel level sending unit, float arm or float are present. Also, avoid areas where the fuel filler neck may protrude inside the fuel tank.

Never mount the fuel pump on the side or bottom of the fuel tank.

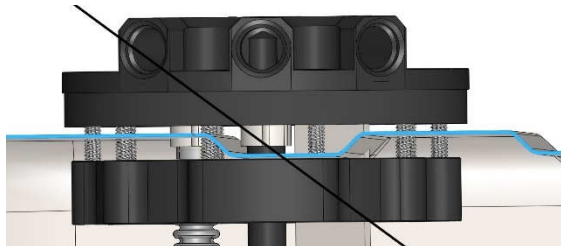


- Secondly, locate and avoid areas of the top of the fuel tank that might contact the bottom of the vehicle frame rails, supports, or floor pan.
- Now that you have identified the areas on the fuel tank to avoid, you can narrow this down further by identifying the orientation of the fuel pump outlet cap how you would like to route the electrical and fuel lines.

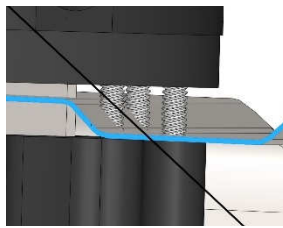
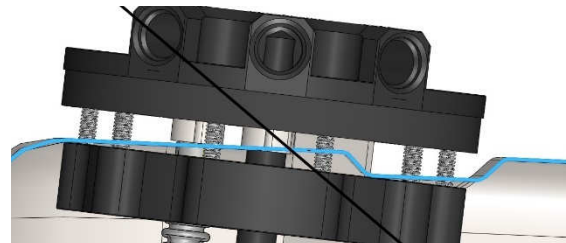
Note: Ensure that you mount the fuel pump at the deepest possible area of the fuel tank.

- If the top of the tank is corrugated or has ribs on the desired mounting surface, the included gasket will compress and form to the ribs up to 1/4" deep. For extreme cases where the ribs are deeper or oddly shaped the use of a fuel resistant sealant such as, Dow Corning 730 fluorosilicone RTV, or additional fabrication may be necessary. **Do not use silicone gasket maker or sealant as it is not fuel resistant.**

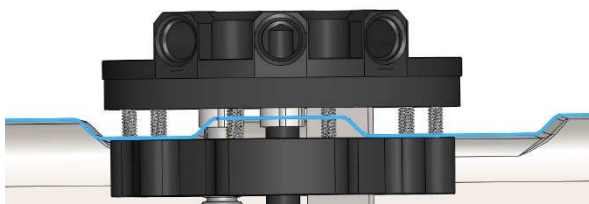
- Using the fuel pump retainer ring (C-shaped part with 10 threaded studs) as a guide determine the fuel pump mounting location, avoiding the areas previously identified. If the top of the tank is corrugated or has ribs further positioning will be required. Noting the location of the tank ribs position the fuel pump retainer ring such that it will be balanced across the ribs. Note that the fuel pump retainer ring will be on the inside of the fuel tank so position it across the ribs that protrude into the tank. Next rotate the fuel pump retainer ring such that none of the studs fall on the side walls of the ribs. Once you have double check the selected mounting position mark the center.



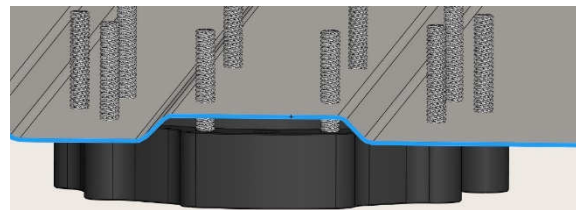
BAD



Avoid having mounting hole through side wall of rib.



OK



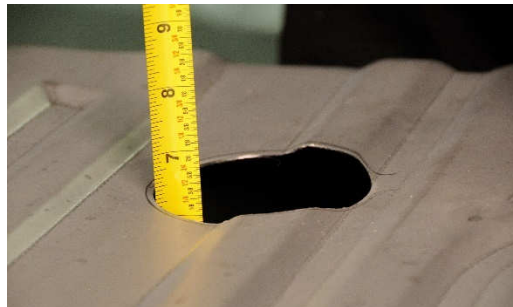
- With the center of the fuel pump location marked and everything double checked, use a metal cutting hole saw to create a 3-1/4" hole in the top of the tank.



10. Place the included "installation ring" over the 3-1/4" hole so the raised register drops into it. Now rotate the ring until the bolt pattern is in the predetermined alignment. If the tank is corrugated or has ribs, rotate or clock the installation ring to ensure that none of the holes on the bolt pattern would have to be drilled into the side walls of the ribs.
11. With the installation ring correctly clocked in place, use the included #2 drill bit and drill one of the bolt pattern holes.



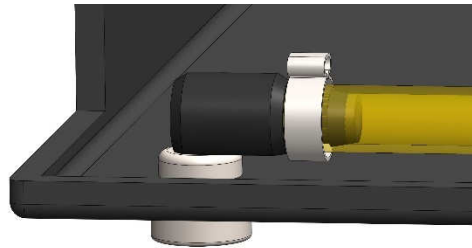
12. Place one of the included 10-24 x 2-1/2" screws in the above hole to help hold the index ring for further drilling.
13. With the installation ring still in place, drill a second hole, directly across (180-degrees) from the first.
14. Place the second 10-24 x 2-1/2" screw in the above second hole.
15. With the installation ring still held in place by the first two alignment screws, drill the remaining 8 holes.
16. Remove the installation ring and two alignment screws.
17. Using the fuel pump retainer ring, align the studs with the newly drilled holes and check for proper fit.
18. Remove any burrs that were created during the drilling operations above.
19. Carefully clean any debris from inside the fuel tank, a good shop-vac can be very helpful here.
20. Using a tape measure, determine the depth of the tank at the fuel pump location.



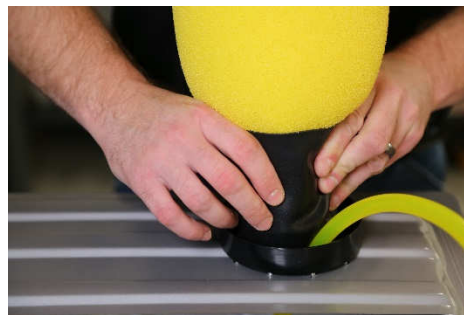
21. Measure the foam baffle assembly from the bottom (black rubber part) up and mark the assembly 1" longer than the determined tank depth. (If the tank was 6" deep, mark the foam baffle assembly to be 7" long)
22. Using a bread knife or fine-tooth hacksaw blade, carefully cut the foam baffle to the desired length.



23. Install the fuel pump retainer ring into the fuel tank from the inside. The C-shape allows the ring to be inserted through the smaller hole, to the inside of the tank, and the studs pushed up through the holes drilled in steps 11-15.
24. Determine where to mount the siphon pickup. The siphon pickup should be placed in a location where the most fuel will be expected to be found away from the basket. For example, if the tank includes a recess for the OEM pump but the new Phantom pump basket was not able to be located there, place the siphon pickup in the recess. Alternatively, the siphon pickup may be placed near the rear and side walls where fuel will be found during forward and lateral acceleration.
25. The included fuel siphon pickup assembly includes an attached mounting magnet for use in a steel tank. Place the pickup in the tank in the desired location using the magnet to hold in place. The pickup assembly with magnet may be pushed to the desired location or dropped in place using a flexible gripping jaw retriever or other such tool. Place the free end of the siphon pickup tubing outside of the drilled hole.
26. For stainless steel, poly, or other non-magnetic tank applications a second mounting magnet is provided. Place the second magnet on the bottom of the tank in the same location as the pickup assembly magnet to hold the pickup in place. NOTE THE MAGNET POLARITY before assembly! Orient the second magnet such that it will attract the magnet on the pickup, not push it away. For best results, coating the magnet with an epoxy (not included) that will not damage the fuel tank is suggested both for corrosion protection for the magnet and for retaining the outer magnet in the desired location (friction will otherwise hold in place).



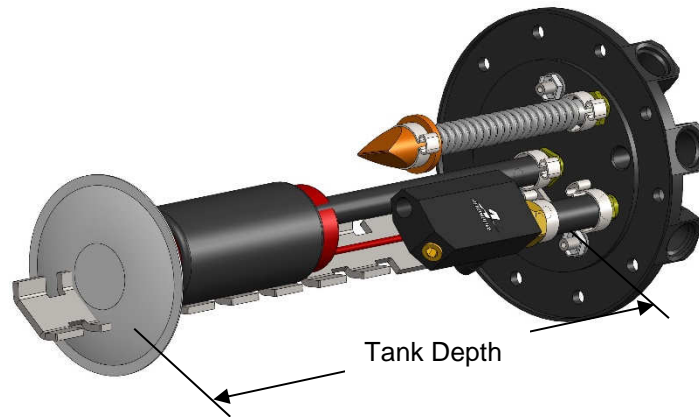
27. Place the installation ring over the retaining ring studs and siphon pickup tubing that now protrude from the top of the tank. With the foam baffle fully inserted into the bladder/cup, compress the baffle assembly, and insert it through the installation ring and next to the siphon pickup tubing into the tank being careful not to cut the assembly or your hands on the tank edge. You may need to pull/hold the siphon tubing during the foam installation to keep the end from falling into the tank. Once the baffle assembly is in the tank, manipulate it until it's centered within the opening.



28. Install fuel pump strainer (pre-filter) on the fuel pump.



Position the fuel pump on the fuel pump hanger assembly such that from the bottom of the outlet cap to the bottom of the fuel pump strainer is equal to the fuel tank depth. Mark the bracket and the black outlet hose so they may be cut to the necessary lengths. Remember, take the time to measure twice and cut once!

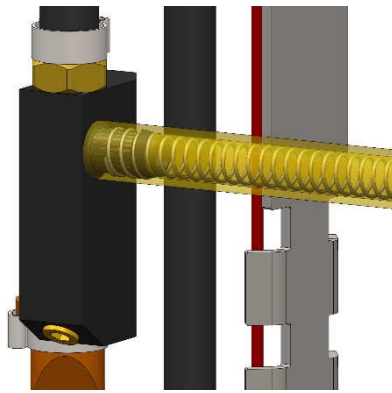


Note: Failure to position the fuel pump strainer on the bottom of the basket assembly will potentially starve the pump for fuel when fuel tank level is low, yielding poor drivability and reduced pump performance.

29. Cut the black outlet hose to the desired length.
30. Using a metal cutting saw cut the bracket to the desired length, removing enough at the bottom to ensure that the end of the bracket will not contact the fuel pump strainer.
31. Using one of the small hose clamps, attach the black outlet hose to the fuel pump and tighten.
32. Using the two larger hose clamps attach the pump to the pump bracket and tighten. The clamps should be positioned in the notches of the bracket.
33. Plug the electrical connector(s) into the pump and tuck the wire out of the way.
34. Cut any largely excess siphon tubing making sure to leave enough slack to allow attachment to the siphon inlet on the hanger.
35. Insert the small end of the anti-kink spring into the siphon tubing while holding the tubing lightly and rotating the spring. Note: twist the spring clockwise looking from the open end to avoid puncturing the tubing with the end of the spring wire.



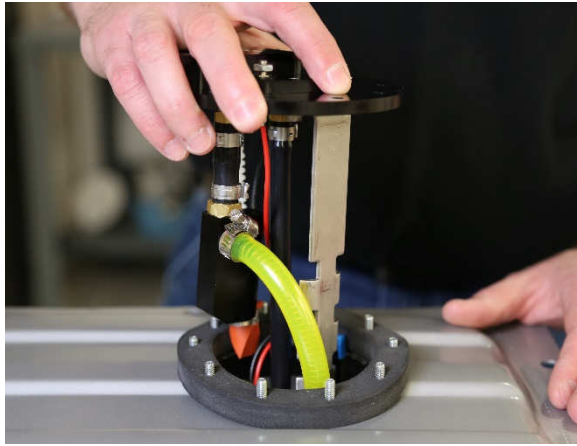
36. Remove the installation tool and install the provided gasket over the siphon tubing and onto the threaded studs on the fuel pump retaining ring.
37. If the top of the tank is corrugated or has ribs on the desired mounting surface, the included gasket will compress and form to the ribs up to 1/4" deep. In extreme cases where the ribs are deeper than 1/4", or oddly shaped, the use of a fuel resistant sealant such as, Dow Corning 730 fluorosilicone RTV, or additional fabrication may be necessary. **Do not use silicone gasket maker or sealant as it is not fuel resistant.**
38. Slide two to three coils of the large end of the anti-kink spring over the barb on the siphon body inlet, and attach the siphon inlet hose to the siphon body using the other small hose clamp.



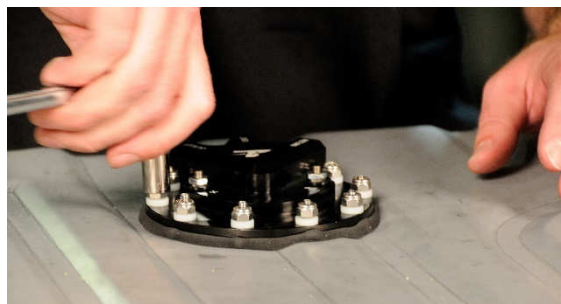
Hose clamp not shown for clarity

39. With the fuel pump hanger fully assembled and the gasket in place, ease the pump hanger assembly into the baffle assembly inside the fuel tank. Rotate the billet fuel pump hanger assembly to orient the fuel line and vent connections in the desired orientation and drop the hanger onto the retaining ring studs.

Caution: Take special care to ensure that the fuel pump wires are fully inside of the tank and will not be pinched in between the pump assembly and the fuel tank during assembly.



40. Press down firmly on the top of the pump assembly to compress the gasket. Start two of the 10-24 lock nuts on a pair of studs 180-degree apart. Tighten these two nuts until the remaining studs are approximately 1/4" exposed.
41. With the remaining 8 studs exposed approximately 1/4", place one of the #10 white nylon sealing washers on each of the studs followed by a 10-24 locking nut.
42. Remove the first two lock nuts used to help compress the gasket. Place one of the #10 white nylon sealing washers on each of these two studs, followed by reinstalling the 10-24 locking nut.
43. With all 10 studs now having a #10 white nylon sealing washer and a locking nut, slowly tighten using a crisscross pattern until the gasket forms to the tank surface.



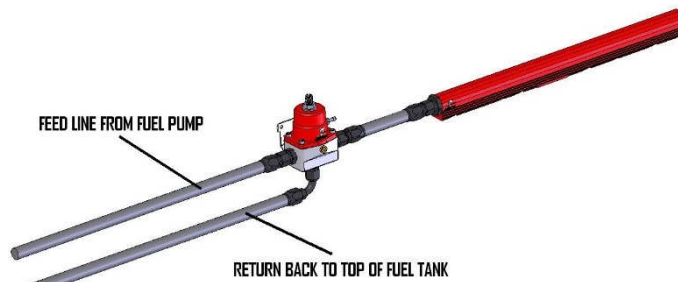
44. Prep the new tank by making all the necessary connection (feed, return, vent and electrical) before placing tank in vehicle. In most cases, once the tank is placed in the vehicle these connections will not be accessible. For electrical wiring refer to **Figure 1-3**.

Note: Tank vent must be at least 6" above the top of the tank if a roll-over valve is used (highly recommended).

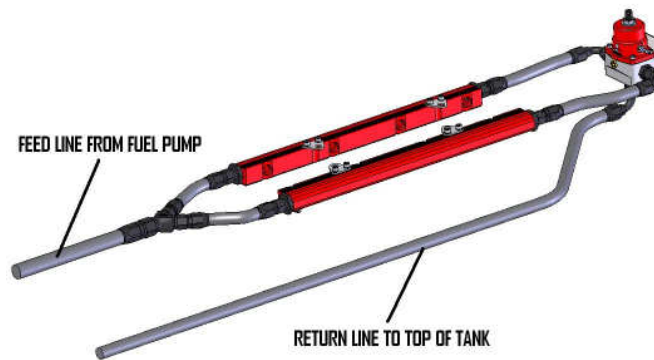
45. Reinstall the fuel tank in the vehicle. In some cases, it may be necessary to space the fuel tank down to allow additional clearance for the new pump outlet, top plate and fittings. 1/2" thick foam material is provided and should be divided and installed at the top of the tank on either side, between the tank and the trunk floor, to help space the fuel tank down if necessary. Additional fabrication may be necessary to gain clearance in extreme cases.
46. Now route the feed and return line under the vehicle and secure them to the chassis. It's recommended to install a post-filter between the fuel pump and the engine (see Aeromotive part # 12301/12321). Place the filter in a location that is clear of suspension and exhaust system components and easy to get to for servicing.

Note: Be sure to route all fuel lines clear of any moving suspension or drivetrain components, and any exhaust components! Protect fuel lines from abrasion and road obstructions or debris.

47. The pictures following are typical regulator installations for EFI setups with Aeromotive Bypass Regulator P/N 13109. **Figures 1-1 & 1-2.**



Fuel Rail with single inlet (Figure 1-1)



Fuel Rails with inlet/outlets (Figure 1-2)

Note: Be sure to route all electrical wires clear of any moving suspension or drivetrain components and any exhaust components! Protect wires from abrasion and road obstructions or debris.

48. Connect electrical power (12 VDC) to the pump. Make sure you use stranded, insulated copper wire, in the sizes shown, with matching crimp-type connectors for all connections. **CAUTION: The pump must not be connected directly to the battery.** Connect the Aeromotive fuel pump as shown in the following diagram:

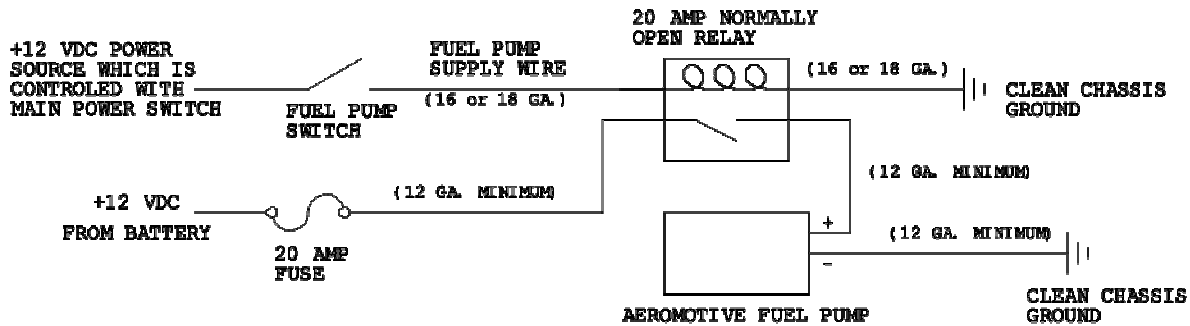


Figure 1-3

CAUTION: While performing the following steps, if any fuel leaks are detected, immediately turn the fuel pump OFF, remove any spilled fuel and repair the leak(s) before proceeding!

49. Turn the fuel pump ON **without starting the engine**, allow the pump to run for several seconds and check the fuel pressure. If there is no pressure, turn the fuel pump OFF, wait one minute, then turn the fuel pump ON and recheck the pressure. Repeat this fuel pump OFF and ON procedure until the fuel pressure gauge registers pressure or you detect a fuel leak. It may be necessary to loosen the fuel line fitting at the pressure regulator to bleed off excessive air in the system. Tighten any fuel line fittings which were loosened and ensure that any spilled fuel is cleaned up and removed from the vicinity of the vehicle. If no pressure is registered on the gauge after running the pump for several seconds and you have found no leaks, check all fuel and electrical connections to determine the cause.
50. Once the fuel pressure gauge registers pressure, start the engine. The gauge on the fuel pressure regulator should register between 35-60 psi for EFI. Now adjust the fuel pressure regulator to the desired setting.

Test drive the vehicle to insure proper operation and re-check the fuel system for leaks. **If any leaks are found, immediately discontinue use of the vehicle and repair the leak(s)!**

Contact Us

RGA NUMBER REQUIRED FOR ALL RETURNS TO AEROMOTIVE.

To obtain an RGA number, please call (913) 647-7300 and ask for the Returns and Repairs department or complete the online form under the "Rebuilds" section at www.aeromotiveinc.com.

- **Shipping & Returns**

Aeromotive Inc.
10955 Mill Creek Road
Lenexa, KS 66219

General Inquiries and Tech Line: (913) 647-7300

General Email: info@aeromotiveinc.com

Tech Email: tech@aeromotiveinc.com

The Aeromotive Tech Lines are open Monday through Friday from 9:30AM to 5:00PM Central Standard Time.



WARNING: This product can expose you to chemicals, including chromium, which is known to the State of California to cause cancer or birth defects or other reproductive harm. For more information, visit: www.p65Warnings.ca.gov

AEROMOTIVE, INC. LIMITED WARRANTY

This Aeromotive Product, with proof of purchase dated on or after January 1, 2003, is warranted to be free from defects in materials and workmanship for a period of one year from the original date of purchase. No warranty claim will be valid without authentic, dated proof of purchase.

This warranty is to the original retail purchaser and none other and is available directly from Aeromotive and not through any point of distribution or purchase.

If a defect is suspected, the retail purchaser must contact Aeromotive directly to discuss the problem, possible solutions and obtain a Return Goods Authorization (RGA), if deemed necessary by the company. Please call 913-647-7300 and dial option 3 for the technical service dept. All returns must be shipped freight pre-paid to the company and with valid RGA before they will be processed.

Aeromotive will examine any product returned with the proper authorization to determine if the failure resulted from a defect or from abuse, improper installation, misapplication or alteration. Aeromotive will then, at it's sole discretion, return, repair or replace the product.

If any Aeromotive product is determined defective, buyer's exclusive remedy is limited in value to the sale price of the good. In no event shall Aeromotive be liable for incidental or consequential damages.

Aeromotive expressly retains the right to make changes and improvements in any product it manufactures and sells at any time. These changes and improvements may be made without notice at any time and without any obligation to change the catalogs or printed materials.

Aeromotive expressly retains the right to discontinue at any time and without notice any Aeromotive product that it manufactures or sells.

This warranty is limited and expressly limits any implied warranty to one year from the date of the original retail purchase on all Aeromotive products.

No person, party or corporate entity other than Aeromotive shall have the right to: determine whether or not this Limited Warranty is applicable to any Aeromotive product, authorize any action whatsoever under the terms and conditions of this Limited Warranty, assume any obligation or liability of any nature whatsoever on behalf of Aeromotive under the terms and conditions of this Limited Warranty.

This Limited Warranty covers only the product itself and not the cost of installation or removal.

This Limited Warranty is in lieu of and expressly excludes any and all other warranties, expressed or implied. This Limited Warranty gives you specific legal rights, and you may also have other rights which vary from state to state.