



**AEROMOTIVE**  
**Part # 17248**  
**Fuel Log/Regulator Combo**  
**INSTALLATION INSTRUCTIONS**

This product is not legal for sale or use on emission-controlled vehicles except when used as a direct replacement part matching OEM specification.

**WARNING!**



Always be aware of flammable situations. Drilling and grinding can be potential ignition sources. Extinguish all open flames, prohibit smoking and eliminate all sources of ignition in the area of the vehicle and workspace before proceeding with the installation. Ensure you are working in a well ventilated area with an approved fire extinguisher nearby.

**WARNING!**



etc.

Installation of this product requires modification to a fuel tank/ the fuel system, failure to satisfy all safety considerations will result in fire, explosion, injury and/or loss of life to yourself and/or others. All fuel system components **MUST** be located as far from heat sources as possible, like exhaust, engine block,

**WARNING!**



Mechanical and hydraulic lifting devices can tip over or lower accidentally due to incorrect maneuvering or technical errors. A falling object can cause injury and/or loss of life to yourself and/or others. When working under the vehicle, always use stands, and ensure that the ground or floor is stable and level. Never crawl under a vehicle which is only supported by a jack.

**WARNING!**



The fuel system is under pressure. Do not open the fuel system until the pressure has been relieved. Refer to the appropriate vehicle service manual for the procedure and precautions for relieving the fuel system pressure.

**CAUTION!**



When installing this product always wear safety glasses and other appropriate safety apparel. A drilling operation will cause flying metal chips. Flying metal chips can cause eye injury.

**CAUTION:**



Installation of this product requires detailed knowledge of automotive systems and repair procedures. We recommend that this installation be carried out by a qualified automotive technician. Careless installation of this product can result in damage to the product, injury or loss of life to yourself and/or others.

## Compatible Fuels:

Pump Gas  
Race Gas  
E85  
Alcohol/Ethanol

## Parts Included:

1ea p/n 14201 4150/4500 Holley Fuel log	1ea p/n 15640 – AN-10/AN-10 Swivel Union
1ea p/n 13212 2-Port Bypass Carb Regulator (2-20psi)	2ea p/n 15608 – AN-10 Male Flare to AN-10 ORB
1ea p/n 15632 0-15psi Fuel Pressure Gauge	1ea p/n 15610 – AN-8 Male Flare to AN-10 ORB
1ea p/n 15617 AN-10 O-Ring Boss Port Plug	

The Aeromotive Fuel Log is designed to provide superior fuel distribution and should be used in conjunction with an appropriate Aeromotive fuel pressure regulator. To cover the majority of applications, with and without bowl extensions, the outlet fitting centerline distance will cover an unheard-of range from 7-3/4" to 13-3/8", with the added ability of pivoting +/- 20 degrees from its neutral position. Inlet ports are o-ring sealed AN-10, so no worries of leaky pipe thread ports.

Aeromotive P/N 14201 fits 7/8"-20 threaded inlets, Holley 4150, 4160 and 4500 series carburetors.

The following steps are typical of most installations:

1. Once the engine has been allowed to cool, disconnect the negative battery cable and relieve fuel system pressure.
2. Using a 1-1/8" wrench, loosen the pivot nuts so the carburetor adapter fittings spin freely.



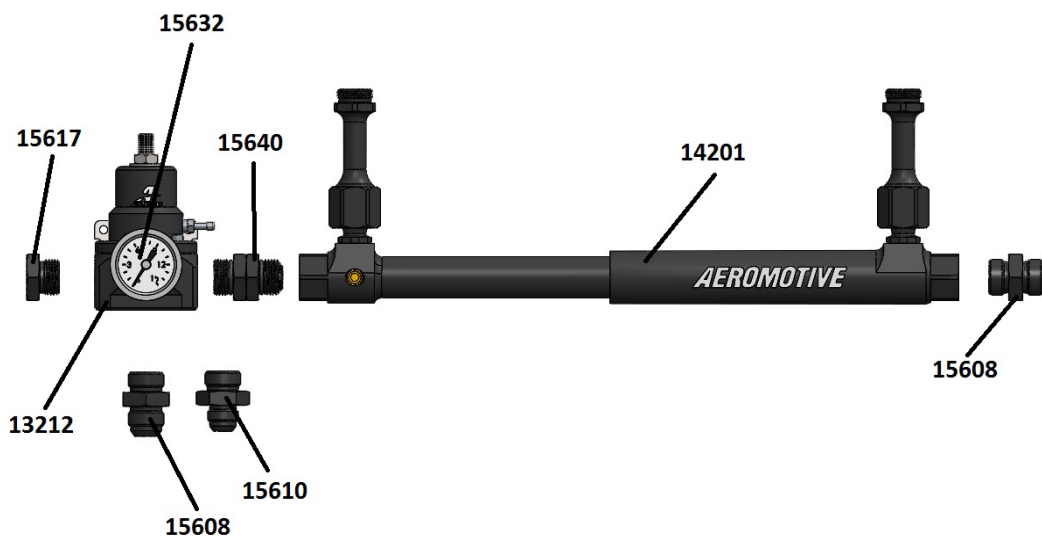
3. Extend or compress the Aeromotive fuel log to the appropriate centerline distance to match your carburetor float bowl fuel inlet ports.
4. Place the two provided crush washers on the carburetor adapter fittings, carefully thread into each float bowl fuel inlet port the carburetor and tighten.



5. With the fuel log in place pivot the log to the position that provides the most clearance and tighten the pivot nuts to 20 in-lbs.

*Note: Be sure the fuel log clears the intake manifold, throttle stop, valve covers and any other components in close proximity.*

6. Attached the log fuel supply line, this is typically attached to the end of the fuel log with the Aeromotive logo. If front clearance is an issue, simply swap the 15617 and 15608 and feed the regulator first.



7. Use the picture above to assemble your new fuel log. Aeromotive has included two different return port fittings. The 15610 is AN-8 and reserved for fuel pumps flowing up to 150gph. The 15608 is AN-10 and is used for fuel pump that flow over 150gph.
8. Remove the 1/8 NPT pipe plug from the regulator and attach the fuel pressure gauge.

**Ensure that any spilled gasoline and any gasoline soaked shop towels are cleaned up and removed from the vicinity of the vehicle!**

9. Reconnect the battery and turn the fuel pump ON **WITHOUT** starting the car until the fuel pressure gauge registers fuel pressure. If your car has a mechanical pump, crank the engine over without starting the car to build fuel pressure.

**With the fuel pressure gauge registering fuel system pressure, check for fuel leaks from and around the Aeromotive fuel log, fuel pressure regulator, all fuel lines and connections! If any fuel leaks are found, turn the ignition key to the OFF position, remove any spilled fuel and repair the leak before proceeding!**

10. Once the fuel pressure gauge registers fuel system pressure and there are no fuel leaks, start the engine.
11. Turn off the engine and allow it to cool. If you do not want to keep the fuel pressure gauge on the vehicle, relieve the fuel system pressure as instructed in the appropriate vehicle service manual. Remove the fuel pressure gauge and reinstall the 1/8 NPT pipe plug, using thread sealant.
12. Test drive the car to insure proper operation and re-check the fuel system for leaks. **If any leaks are found, immediately shutoff the engine and repair the leak(s)!**

# Contact Us

RGA NUMBER REQUIRED FOR ALL RETURNS TO AEROMOTIVE.

To obtain an RGA number, please call (913) 647-7300 and ask for the Returns and Repairs department or complete the online form under the "Rebuilds" section at [www.aeromotiveinc.com](http://www.aeromotiveinc.com).

- **Shipping & Returns**

Aeromotive Inc.  
10955 Mill Creek Road  
Lenexa, KS 66219

**General Inquiries and Tech Line:** (913) 647-7300

**General Email:** [info@aeromotiveinc.com](mailto:info@aeromotiveinc.com)

**Tech Email:** [tech@aeromotiveinc.com](mailto:tech@aeromotiveinc.com)

*The Aeromotive Tech Lines are open Monday through Friday from 9:30AM to 5:00PM Central Standard Time.*



**WARNING:** This product can expose you to chemicals, including chromium, which is known to the State of California to cause cancer or birth defects or other reproductive harm. For more information, visit: [www.p65Warnings.ca.gov](http://www.p65Warnings.ca.gov)

### ***AEROMOTIVE, INC. LIMITED WARRANTY***

This Aeromotive Product, with proof of purchase dated on or after January 1, 2003, is warranted to be free from defects in materials and workmanship for a period of one year from the original date of purchase. No warranty claim will be valid without authentic, dated proof of purchase.

This warranty is to the original retail purchaser and none other and is available directly from Aeromotive and not through any point of distribution or purchase.

If a defect is suspected, the retail purchaser must contact Aeromotive directly to discuss the problem, possible solutions and obtain a Return Goods Authorization (RGA), if deemed necessary by the company. Please call 913-647-7300 and dial option 3 for the technical service dept. All returns must be shipped freight pre-paid to the company and with valid RGA before they will be processed.

Aeromotive will examine any product returned with the proper authorization to determine if the failure resulted from a defect or from abuse, improper installation, misapplication or alteration. Aeromotive will then, at it's sole discretion, return, repair or replace the product.

If any Aeromotive product is determined defective, buyer's exclusive remedy is limited in value to the sale price of the good. In no event shall Aeromotive be liable for incidental or consequential damages.

Aeromotive expressly retains the right to make changes and improvements in any product it manufactures and sells at any time. These changes and improvements may be made without notice at any time and without any obligation to change the catalogs or printed materials.

Aeromotive expressly retains the right to discontinue at any time and without notice any Aeromotive product that it manufactures or sells.

This warranty is limited and expressly limits any implied warranty to one year from the date of the original retail purchase on all Aeromotive products.

No person, party or corporate entity other than Aeromotive shall have the right to: determine whether or not this Limited Warranty is applicable to any Aeromotive product, authorize any action whatsoever under the terms and conditions of this Limited Warranty, assume any obligation or liability of any nature whatsoever on behalf of Aeromotive under the terms and conditions of this Limited Warranty.

This Limited Warranty covers only the product itself and not the cost of installation or removal.

This Limited Warranty is in lieu of and expressly excludes any and all other warranties, expressed or implied. This Limited Warranty gives you specific legal rights, and you may also have other rights which vary from state to state.