



AEROMOTIVE Part # 17241
BB Chevy Lower Left Mounting
INSTALLATION INSTRUCTIONS

Not For Street Use!

CAUTION:

Installation of this product requires detailed knowledge of automotive systems and repair procedures. We recommend that a qualified automotive technician carry out this installation.

Installation of this product requires handling of gasoline. Ensure you are working in a well ventilated area with an approved fire extinguisher nearby. Extinguish all open flames, prohibit smoking and eliminate all sources of ignition in the area of the vehicle before proceeding with the installation.

When installing this product, wear eye goggles and other safety apparel as needed to protect yourself from debris and sprayed gasoline.

WARNING!

The fuel system is under pressure. Do not open the fuel system until the pressure has been relieved. Refer to the appropriate vehicle service manual for the procedure and precautions for relieving the fuel system pressure.

Aeromotive fuel system components are not legal for sale or use on emission-controlled motor vehicles.

The enclosed Aeromotive fuel pump utilizes an o-ring sealed AN-10 style inlet and outlet ports; these ports are **NOT PIPE THREAD** and utilize **NO THREAD SEALANT**.

A high capacity 100 micron fuel filter must be installed between the fuel tank and pump inlet as well as a high capacity 10 micron fuel filter on the pump outlet. We recommend an Aeromotive P/N 12302 on the inlet side and an Aeromotive P/N 12301 on the outlet side. Call us for info.

To use this pump in your vehicle's fuel system, we strongly recommend the following:

The use of a front mounted fuel cell.

Gravity feed the pump by mounting it lower than the fuel cell.

Utilize AN-10 size high pressure fuel lines, fittings and o-rings for all connections from the fuel cell to the engine.

Failure to follow the above recommendations may result in fuel leakage, bursting of the fuel lines, poor vehicle performance and/or decreased fuel pump life! Improper installation will void all warranties for this product!

Performance Specifications: Model 17241

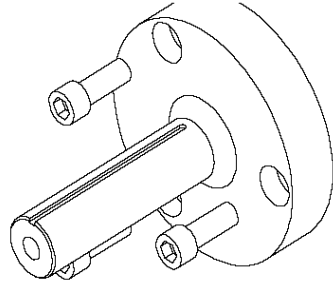
Fuel Compatibility	Gasoline & Methyl Alcohol
Port Sizes	Inlet & Outlet AN-10

This kit contains the following parts:

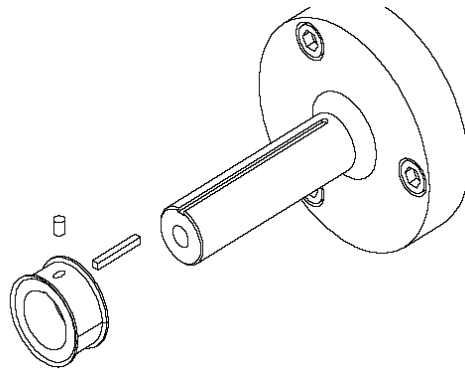
1 ea p/n 11105 Fuel Pump	1 ea 1/4-28 x 1 Socket Head Cap Screw
1 ea Fuel Pump Bracket	3 ea 3/8-24 x 1 Socket Head Cap Screws
1 ea p/n 21106 BB Chevy Crankshaft Mandrel	2 ea 10-32 x 3/16" Setscrew
1 ea p/n 21108 14-Tooth Crankshaft Pulley	1 ea 10-32 x 1/2" Setscrew
1 ea 28-Tooth Pump Pulley	2 ea 7/16-14 x 1 1/2" Threaded Studs
2 ea Spacers	2 ea 3/8-16 X 1" Bolts
1 ea Drive Belt	2 ea 3/8" Flat Washers
2 ea 1/8" key way	

The following steps are typical of most installations:

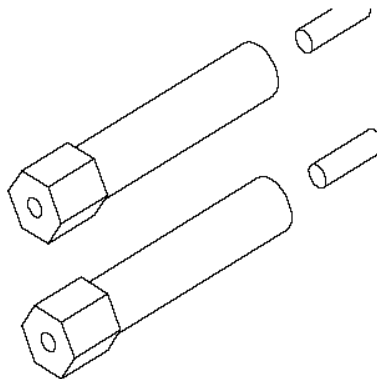
1. Once the engine has been allowed to cool, relieve the fuel system pressure and disconnect the negative battery cable.
2. Raise the vehicle and support it with jack stands.
3. Attach the drive mandrel to the front face of the harmonic balancer with 3 of the 3/8-24 x 1 socket head cap screws.



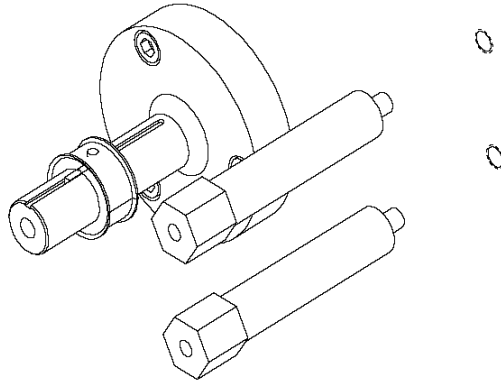
4. Place one of the 1/8" square keys in the keyway on the mandrel.
5. Slide the 14-tooth pulley on to the mandrel
6. Thread the two 10-32 x 3/16" setscrews into the 14-tooth pulley; leave the assembly loose until final alignment can be determined.



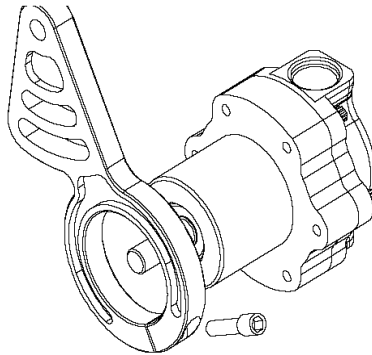
7. Thread each of the 7/16-14 x 1 1/2" studs into each of the two spacers



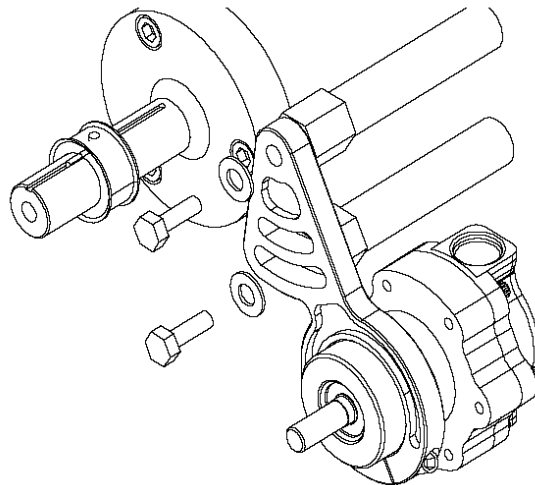
8. Locate the two 7/16" mounting holes on the block, looking at the front of the engine block there will be two 7/16" threaded holes oriented vertically from each other to the right of the crankshaft. Thread each of the spacer / stud assemblies into each of the two mounting holes and tighten.



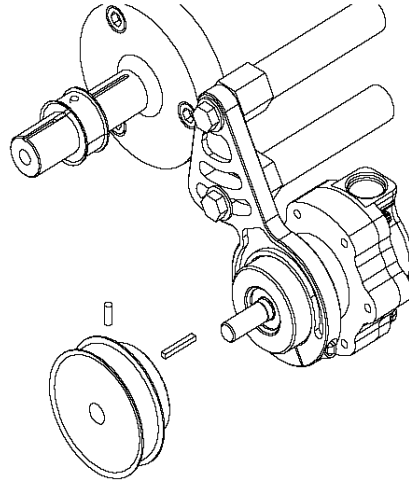
9. Thread the 1/4-28 x 1 socket head cap screw into the bracket but do not tighten.
10. Slide the bracket onto the pump in the orientation shown below;



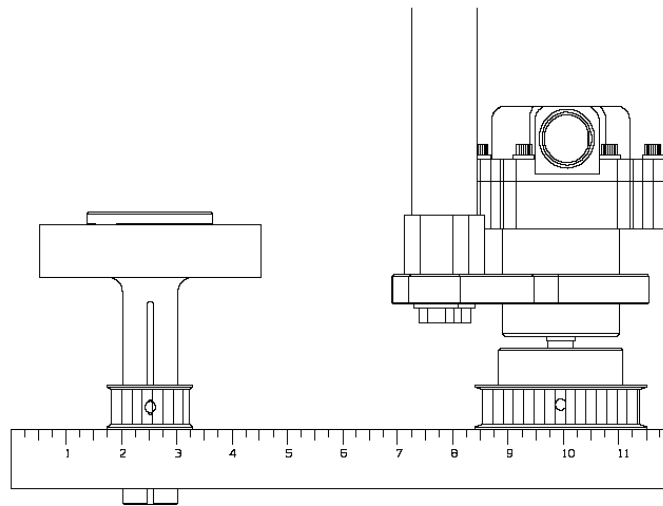
11. Using the two 3/8-16 X 1" bolts and two 3/8" flat washers attach the fuel pump bracket to the spacers; leave the assembly loose until final alignment can be determined.



12. Place one of the 1/8" square keys in the keyway on the pump.
13. Slide the 28-tooth pulley on to the pump shaft.
14. Thread the 10-32 x 1/2" setscrew into the side of the 28-tooth pulley; leave the assembly loose until final alignment can be determined.

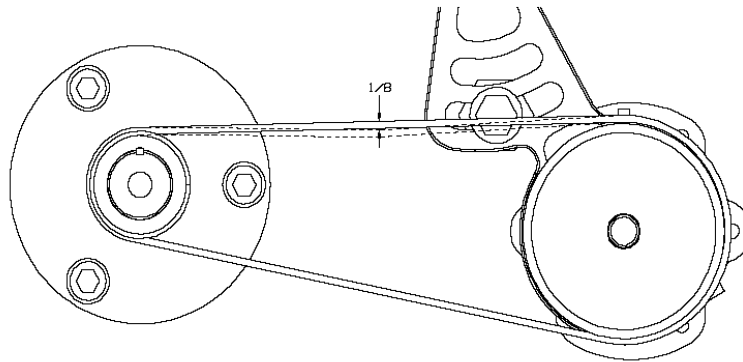


15. Using a straightedge align the pulley on the crankshaft with the pulley on the fuel pump. Alignment may be achieved by moving the pump location in the mounting bracket and by moving the location of the 14-tooth pulley on the drive mandrel. ***In some cases it may be necessary to shorten the pump bracket spacers to accommodate other accessories on the drive mandrel.***

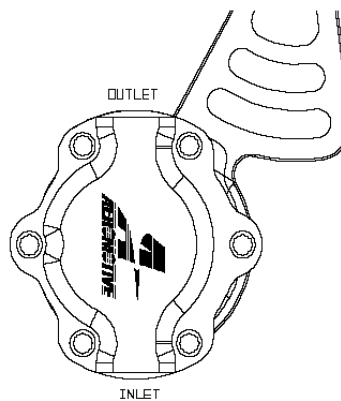


16. Once the pulleys are aligned, tighten the pump bracket screw and both pulley setscrews. It is recommended to use a removable Loc-tite thread locker on the setscrews to prevent them from loosening during operation.

17. Install the drive belt onto the pulleys and apply tension to the belt by rotating the pump along the slots in the bracket. The belt tension should be adjusted such that the center of the belt will deflect $1/8"$. Once this desired tension is achieved, tighten the two $3/8"$ bolts holding the bracket to the spacers.

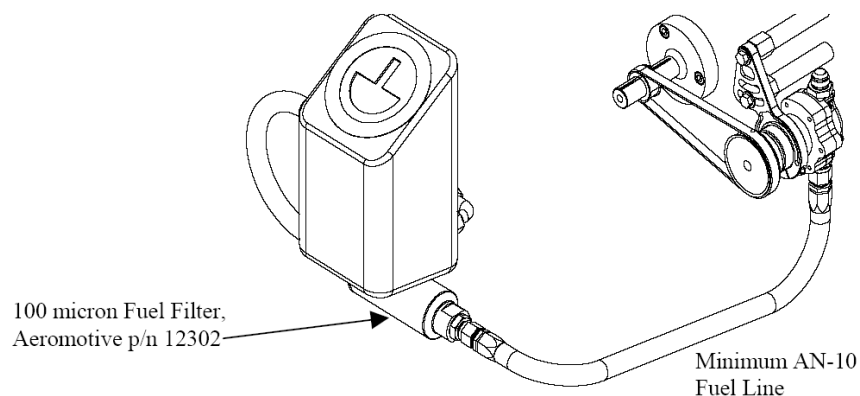


18. Identify which port is the inlet by comparing your installation with the diagram below.



19. Place several drops of a clean, general-purpose light oil into the inlet side of the pump to aid in the initial priming of the fuel system.
20. Connect the fuel cell sump to the fuel filter inlet, we recommend using fuel filter Aeromotive p/n 12302, utilizing a minimum of AN-10 steel braided fuel line. Next, connect the fuel filter outlet to the fuel pump inlet utilizing a minimum of AN-10 steel braided fuel line, refer to Figure 1 for determining the fuel pump inlet. ***It is recommended that a front mount fuel cell be used for best results.***

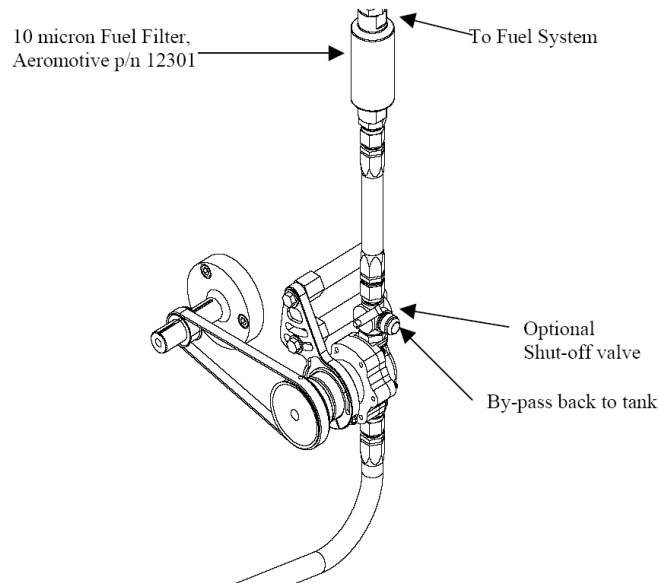
Note: Be sure to route all fuel lines clear of any moving suspension or drivetrain components, and any exhaust components! Protect fuel lines from abrasion and track obstructions or debris.



21. Connect the fuel pump outlet to the fuel filter inlet. We recommend using fuel filter Aeromotive p/n 12301, utilizing a minimum of AN-08 steel braided fuel line. Next, connect the fuel filter outlet to the vehicle's fuel system. **Make sure you use high pressure (1000 psi minimum) fuel line for these connections!**

Note: If you are using a fuel system shut-off valve, ensure the valve incorporates a by-pass valve!

Note: Be sure to route all fuel lines clear of any moving suspension or drivetrain components, and any exhaust components! Protect fuel lines from abrasion and track obstructions or debris.



22. If you are using this fuel pump with an EFI style fuel system we recommend using Aeromotive p/n 13110 Fuel Pressure Regulator. For Carbureted applications we recommend Aeromotive p/n 13202 Fuel Pressure Regulator.

23. Ensure that any spilled fuel and any fuel soaked shop towels are cleaned up and removed from the vicinity of the vehicle!

CAUTION: While performing the following steps, if any fuel leaks are detected, immediately turn the ignition to OFF, remove any spilled fuel and repair the leak(s) before proceeding!

24. Turn the engine over **without starting the engine**, allow the pump to prime for several seconds and check the fuel pressure. If there is no pressure, wait one minute, then turn the engine over, recheck the pressure. Repeat this procedure until the gauge registers pressure or you detect a fuel leak.

25. Carefully lower the vehicle to the ground.

26. Test-drive the vehicle to ensure proper operation and re-check the fuel system for leaks. **If any leaks are found, immediately discontinue use of the vehicle and repair the leak(s)!**

AEROMOTIVE, INC.
7805 Barton Street, Lenexa, KS 66214
913-647-7300 fax 913-647-7207
www.aeromotiveinc.com



WARNING: This product can expose you to chemicals, including chromium, which is known to the State of California to cause cancer or birth defects or other reproductive harm. For more information, visit: www.p65Warnings.ca.gov

AEROMOTIVE, INC. LIMITED WARRANTY

This Aeromotive Product, with proof of purchase dated on or after January 1, 2003, is warranted to be free from defects in materials and workmanship for a period of one year from the original date of purchase. No warranty claim will be valid without authentic, dated proof of purchase.

This warranty is to the original retail purchaser and none other and is available directly from Aeromotive and not through any point of distribution or purchase.

If a defect is suspected, the retail purchaser must contact Aeromotive directly to discuss the problem, possible solutions and obtain a Return Goods Authorization (RGA), if deemed necessary by the company. Please call 913-647-7300 and dial option 3 for the technical service dept. All returns must be shipped freight pre-paid to the company and with valid RGA before they will be processed.

Aeromotive will examine any product returned with the proper authorization to determine if the failure resulted from a defect or from abuse, improper installation, misapplication or alteration. Aeromotive will then, at it's sole discretion, return, repair or replace the product.

If any Aeromotive product is determined defective, buyer's exclusive remedy is limited in value to the sale price of the good. In no event shall Aeromotive be liable for incidental or consequential damages.

Aeromotive expressly retains the right to make changes and improvements in any product it manufactures and sells at any time. These changes and improvements may be made without notice at any time and without any obligation to change the catalogs or printed materials.

Aeromotive expressly retains the right to discontinue at any time and without notice any Aeromotive product that it manufactures or sells.

This warranty is limited and expressly limits any implied warranty to one year from the date of the original retail purchase on all Aeromotive products.

No person, party or corporate entity other than Aeromotive shall have the right to: determine whether or not this Limited Warranty is applicable to any Aeromotive product, authorize any action whatsoever under the terms and conditions of this Limited Warranty, assume any obligation or liability of any nature whatsoever on behalf of Aeromotive under the terms and conditions of this Limited Warranty.

This Limited Warranty covers only the product itself and not the cost of installation or removal.

This Limited Warranty is in lieu of and expressly excludes any and all other warranties, expressed or implied. This Limited Warranty gives you specific legal rights, and you may also have other rights which vary from state to state.