



Read and understand these instructions **BEFORE** attempting to install this product.

- Do not smoke while working on the fuel system.
- Keep open flames or sparks away from your work area.
- Be sure to relieve fuel pressure before beginning fuel filter installation.

Kit Contents

Quantity	Description
1	Universal Pressure Regulator
1	BRACKET, UNIV FUEL REG
4	SCREW, FLT HD CAP 10-32x1/2"

Installation & Adjustment

1. Installation of the AEM Universal Fuel Pressure Regulator

Warning!!!: The AEM adjustable fuel pressure regulator has been set to 40 psi using a typical fuel pump and a perfect running fuel system. Due to the differences on vehicle fuel pressure on different applications it is **highly recommended** that you adjust the fuel pressure on your vehicle.

Note: The AEM fuel pressure regulator is set to 40 psi. All adjustments of the pressure regulator will be explained in a later portion of the instructions

- The AEM universal fuel pressure regulator is designed with the mounting bracket as a bolt on component to the regulator body. If you desire, the regulator can be bolted directly to the car using the four threaded holes at the back of the regulator which are tapped with a 10-32 thread.
 - Install the mounting bracket to the regulator using the four supplied allen head screws.
 - Mount the fuel regulator on a flat surface.
 - The diameter of the mounting holes on the bracket are 1/4". On the last page of the instructions will be a mounting template, which should be used to mount the fuel regulator.
- The two inlet ports are tapped with a 9/16-18 thread. The fuel pressure gauge port is tapped with a 1/8-27 NPT.
- The outlet port is located at the bottom of the fuel pressure regulator. It has a 9/16"-8 thread. You may purchase a 7 mm barb fitting from AEM part number 25-390.
- Connect the vacuum hose to the top of the fuel pressure regulator. (Hose size is a 3/16" or 5 mm)
- Connect the negative battery terminal.
- Turn the ignition or fuel pump switch to the on position for approximately two seconds. **Do not operate the starter.** Then turn the ignition switch to the off position.

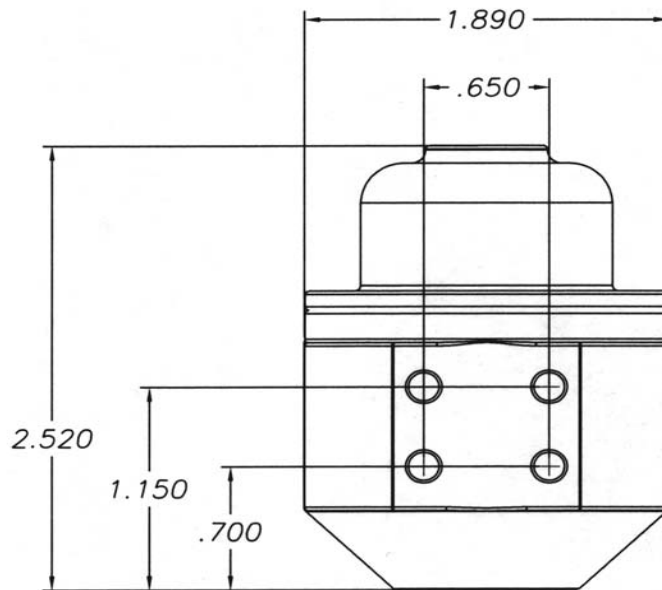
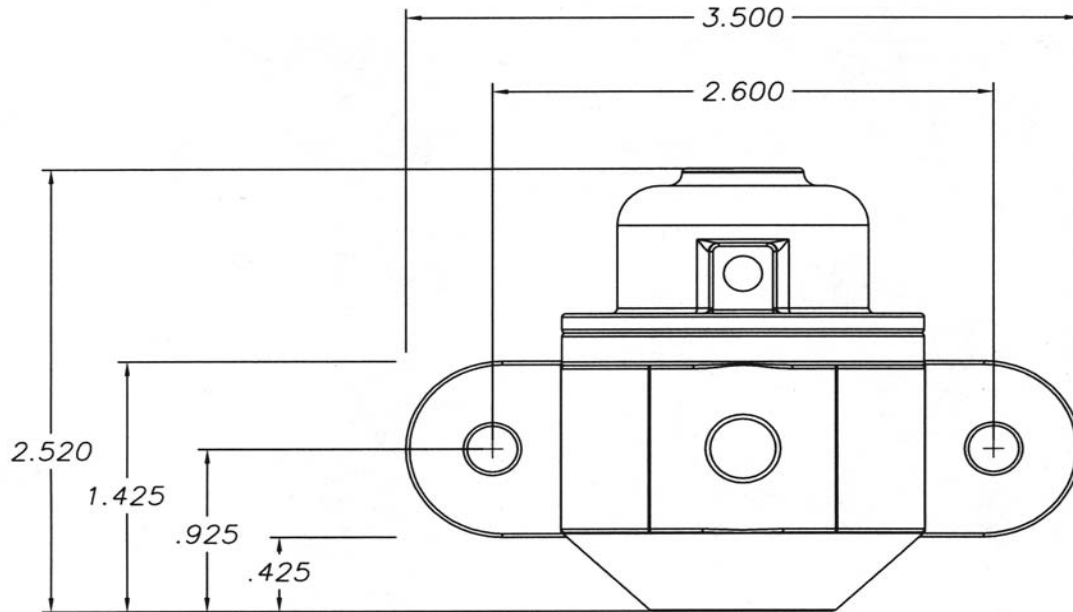
2. Adjustment

Note: The AEM adjustable fuel pressure regulator can be fine-tuned for your application. These adjustments will be covered in this section. A fuel pressure gauge needs to be used for precise tuning.

- When fuel pressure adjustments are to be made, loosen the jam nut on the top of the AEM fuel pressure regulator and either tighten or loosen the set screw.
 - When loosening the jam nut a 7/16" wrench should be used.
 - When tightening or loosening the set screw a 1/8" allen key should be used.
 - To increase fuel pressure, turn the set screw in a clockwise rotation.
 - To decrease fuel pressure, turn the set screw in a counter-clockwise rotation.



Drawings



This product is legal in California for racing vehicles only and should never be used on public highways.
AEM Performance Electronics, 2205 W. 126th Street Unit A, Hawthorne, CA 90250
Phone: (310) 484-2322
Document 10-305