

E4-WM5-Y672A00

MOUNTING INSTRUCTION



IMPORTANT! READ THIS FIRST!

Installation of shock absorbers requires special tools and expert knowledge. Accordingly, installation of all BILSTEIN products must be performed by a qualified suspension specialist.

When replacing other brands, BILSTEIN shock absorbers should always be installed as a set. All BILSTEIN products must only be used for the specific, intended application as indicated in the application guide. **Any use of any BILSTEIN product other than for its intended use may result in serious bodily injury or death.**

Always use a chassis hoist for the installation of BILSTEIN products and make certain that the raised vehicle is securely attached to the hoist and/or supported to prevent the vehicle from slipping, falling, or moving during the installation process.

If you choose to install any BILSTEIN product without the necessary special tools, expertise or chassis hoist, you may subject yourself to the risk of serious bodily injury or death. If you elect not to use a chassis hoist, at least make sure the vehicle is on level ground, that all tires on the ground during installation are blocked to prevent movement, that at least two tires are on the ground at all times, and that adequately secured safety stands (jack stands) are used to support the chassis. **NEVER** get under the vehicle until you have checked to make sure all of these steps are performed.

BILSTEIN suspension products are gas-filled and are highly pressurized.

- Never place any BILSTEIN product in a vise or use a clamp on any BILSTEIN product.
- Never apply heat near any BILSTEIN product.
- Never attempt to open or repair any BILSTEIN product, in order to prevent **serious bodily injury or death.**

Any attempt to misuse, misapply, modify, or tamper with any BILSTEIN suspension product voids any warranty and **may result in serious bodily injury or death.**

While installing any BILSTEIN product:

- Do not use impact tools for loosening or tightening fasteners because this may destroy the screw threads.
- Self-locking fasteners must only be used **once!**
- Reuse original equipment components only if they are in good condition, otherwise replace them with new components.
- Never remove the slight film of oil on the piston rod and seal.
- All mounting fasteners for shocks and struts must be securely tightened before operating the vehicle.

After installing any BILSTEIN product:

- The suspension caster and camber must be checked and/or adjusted to comply with the vehicle manufacturer's specifications.
- The (load dependent) brake compensator and the anti-lock brake system must be checked and/or reset to comply with the vehicle manufacturer's specifications.
- The headlight aim must be checked and adjusted.

E4-WM5-Y672A00 MOUNTING INSTRUCTION



BILSTEIN 8100 Series Reservoir Shock Absorbers are designed to fit your vehicle's original shock mounts with no modifications. With the exception of reservoir placement, the 8100 Series shocks are installed in the same manner as a standard replacement shock.

- A. Remove the existing rear shocks from the vehicle following all procedures in the vehicle manufacturer's service manual.
- B. Position reservoir for driver side as depicted in Figures 1 and 2. Position reservoir for passenger side as depicted in Figures 3 and 4. The reservoir should be placed in the location pictured below.



Figure 1 - Rear Driver Side



Figure 2 - Rear Driver Side

E4-WM5-Y672A00 MOUNTING INSTRUCTION



Figure 3 - Rear Passenger Side



Figure 4 - Rear Passenger Side

- C. Install the complete shock/reservoir assemblies on the vehicle. All original fasteners can be reused.
- D. Take the secondary schrader cap assembly provided and screw it into the bottom reservoir cap for both sides as shown in Figure 5. Torque it to 13 lb•ft (17.5 N•m).

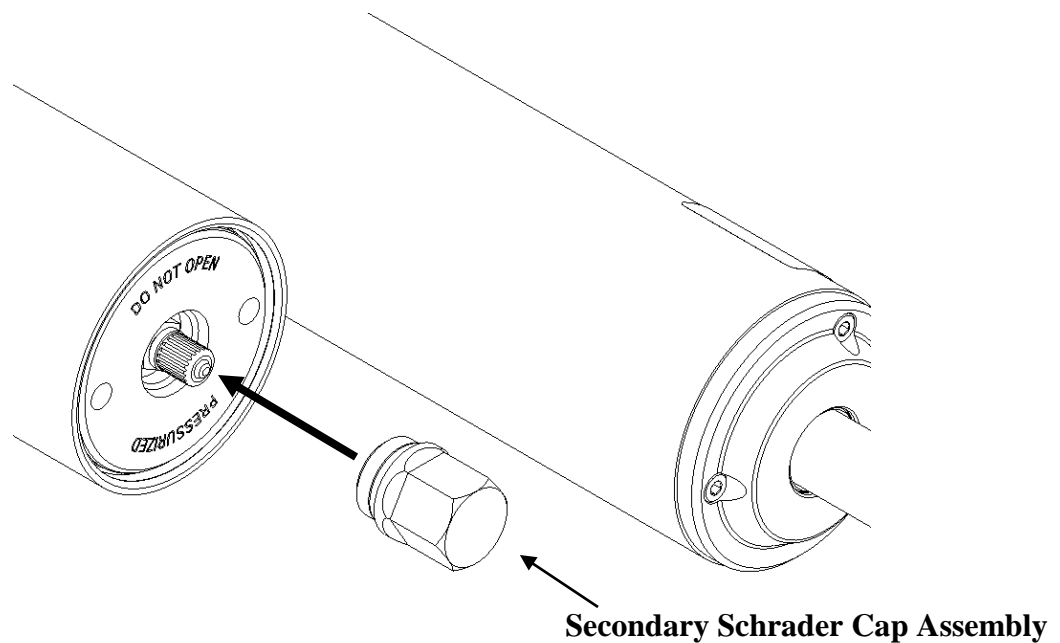


Figure 5

E4-WM5-Y672A00

MOUNTING INSTRUCTION



- E.** If a chassis hoist has been used, be sure to lower the vehicle such that its full weight is on the suspension prior to fully tightening the fasteners.
- F.** Carefully check for any possible interference between the reservoirs and any other components on the vehicle. The reservoir mounting locations depicted herein are appropriate for most Jeep JT vehicles, however, some wheel/tire and or lift kit combinations may create interference problems. It is the responsibility of the installer to determine if there is any potential for interference.
- G.** Tighten all remaining fasteners to the vehicle manufacturer's service manual torque specifications.
- H.** Installation is complete.