

**A Holley Performance Brand**

# Microswitch Installation Instructions P/N 15640NOS

## Instruction P/N A5085-SNOS

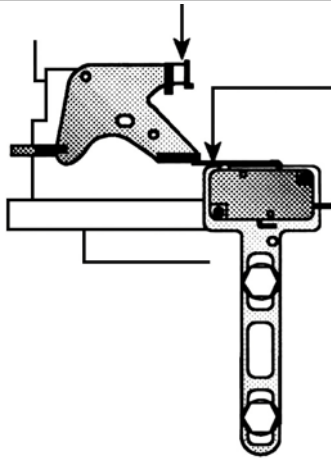
### MICROSWITCH AND UNIVERSAL BRACKET FOR THROTTLE ACTIVATION OF NITROUS SYSTEMS

#### INTRODUCTION

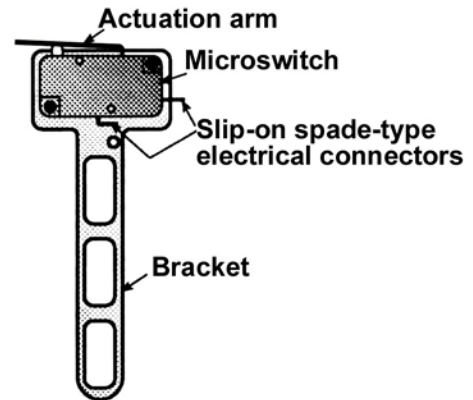
Congratulations on the purchase of your NOS Nitrous Oxide accessory. You have chosen the finest accessory available anywhere, at any price. NOS utilizes only the highest quality components manufactured expressly for the unique environment of nitrous oxide. To properly utilize these specially designed components and obtain the trouble-free operation they are capable of producing, it is extremely important that you read all instructions carefully and familiarize yourself with all components and procedures before beginning installation to guarantee the proper operation of the system.

The microswitch may be mounted to the bracket in a variety of positions and one either side of the bracket. The bracket may be bent into any shape that best suits your application.

Adjust the switch to a position that ensures that the actuation arm has "clicked" at the same point that your throttle linkage has reached wide-open against the throttle stop.

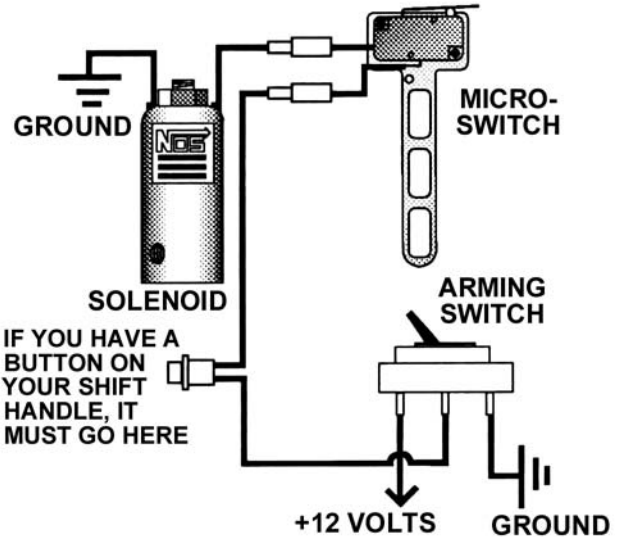


Be sure the throttle and switch can reach this position by using the pedal. Have someone slowly depress the pedal to the floor while you listen for the "click" of the switch.



Follow this wiring diagram if you are NOT using a relay with your nitrous system. If you are using a relay, follow the wiring instructions included with the relay.

The diagram shows only one solenoid. Both solenoids will be connected to the circuit shown.



**NOS Technical Support**  
**Phone: 1-270-781-9741**  
**Toll-Free Phone: 1-866-GOHOLLEY**  
**Fax: 1-270-781-9772**

For online help, please refer to the Tech Service section of our website: [www.holley.com](http://www.holley.com)